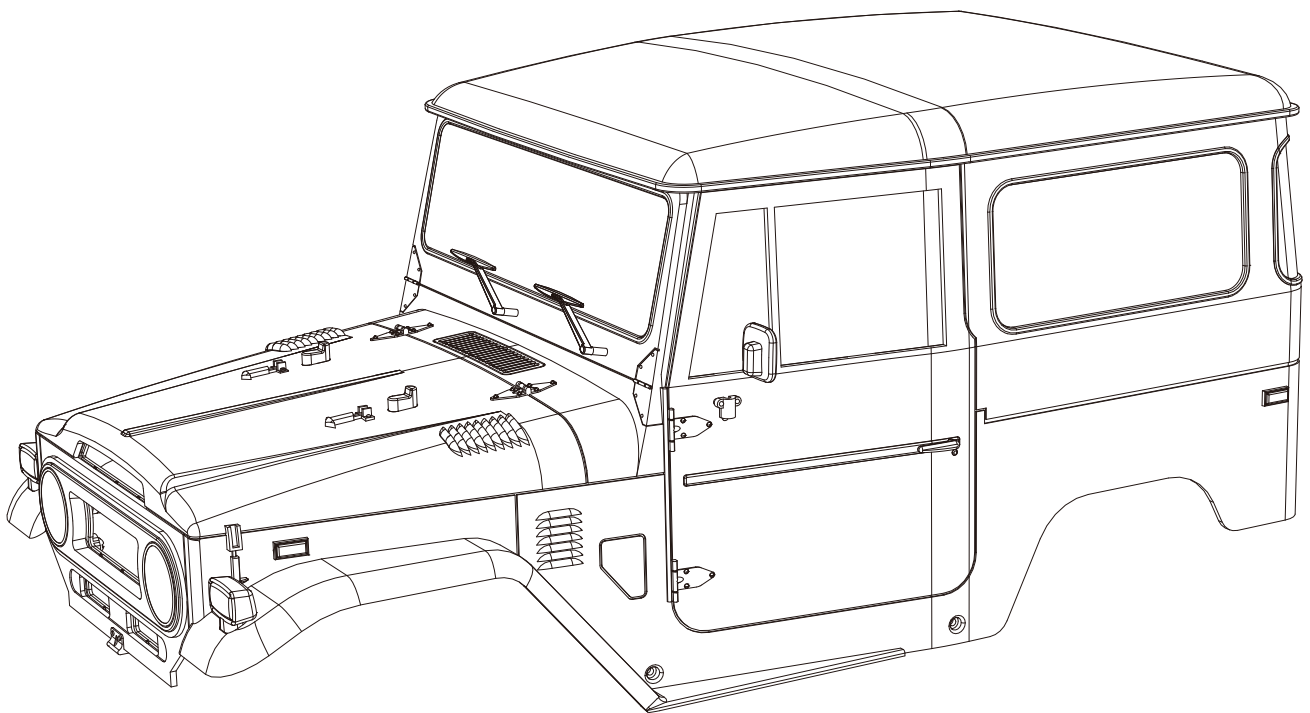
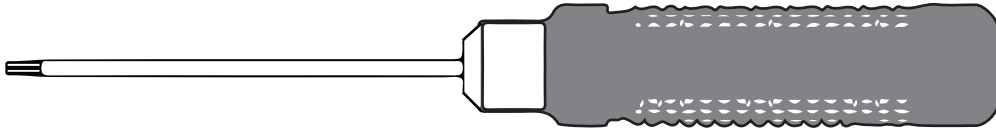


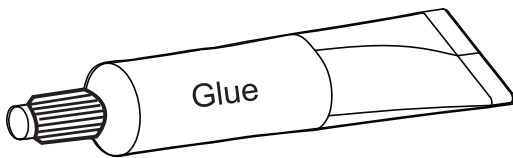
RC4WD COMPLETE CRUISER BODY SET FOR GELANDE II



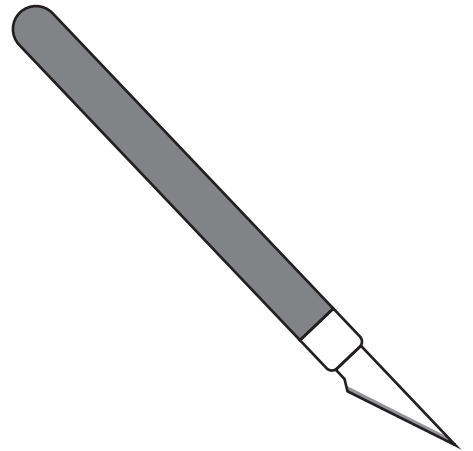
Recommended Tools



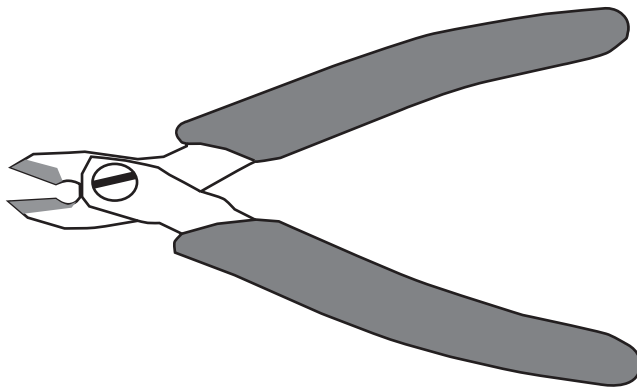
Hex Drivers (1.5mm, 2mm)



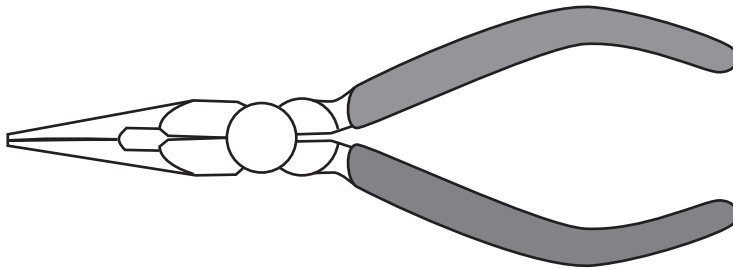
(Foam safe CA, Shoe Goo or E6000, Styrene Glue, Epoxy)



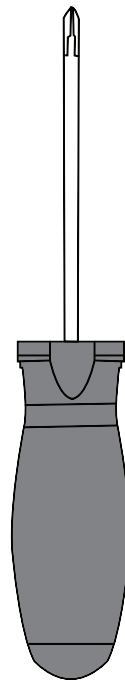
Hobby Knife



Side Cutters



Long Nose Pliers

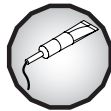


Cross head screwdriver (Small)

Instruction Manual Symbols Key



Apply Thread Lock



Apply Grease



Glue



Trim with Hobby Knife



CA Glue



Remove



Cut with Scissors



Repeat or Build Multiple



Build Right and Left



Paint



Attention



Build Front and Rear

Tips for Assembly

- Use good quality hex drivers to avoid stripping screw heads.
- Open kit bags in order of assembly steps.
- Use “Step” index for quantity and size of hardware to be used for assembly.
- Do not overtighten screws.
- Use thread lock sparingly

Recommendations for building your RC4WD 1980 Toyota Land Cruiser FJ55 Lexan Body Set.

1. Carefully remove all pieces from parts trees with a hobby knife or side cutters. Take care to trim the injection point from the parts.
2. Test fit everything before gluing. Many areas will require extra attention to detail to ensure proper alignment.

Warranty

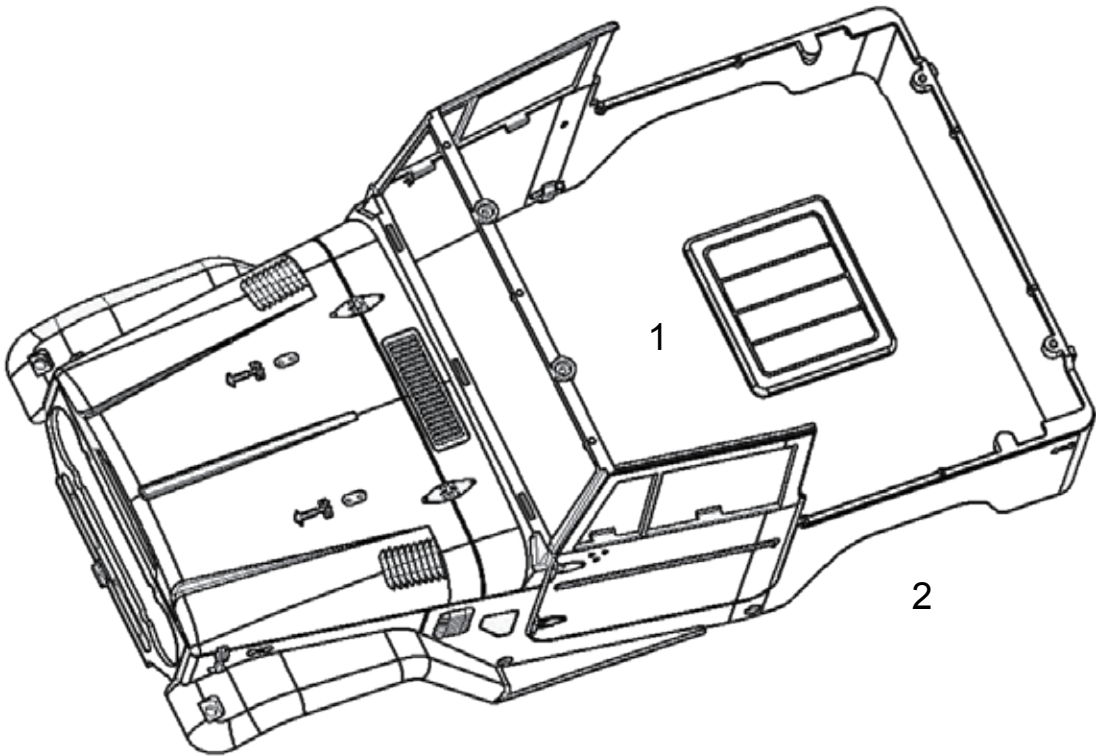
RC4WD non-electrical products are warranted to be free of defects in materials and workmanship when new. Our limited warranty does not cover damages due to normal wear and tear, user error of assembly or installation, user modifications, user's failure to perform routine maintenance, addition of aftermarket parts or option parts. This warranty lasts 30 days after arrival for original purchaser.

In the event of a defect under this warranty, RC4WD will, at our discretion, replace the product, provided our inspection indicates that an original defect exists. RC4WD reserves the right to replace any product which is no longer available with a product of comparable value and function. If RC4WD determines the repair is not covered under warranty guidelines, we will contact you to discuss your options. If you have any questions, please contact us via email at support@rc4wd.com.

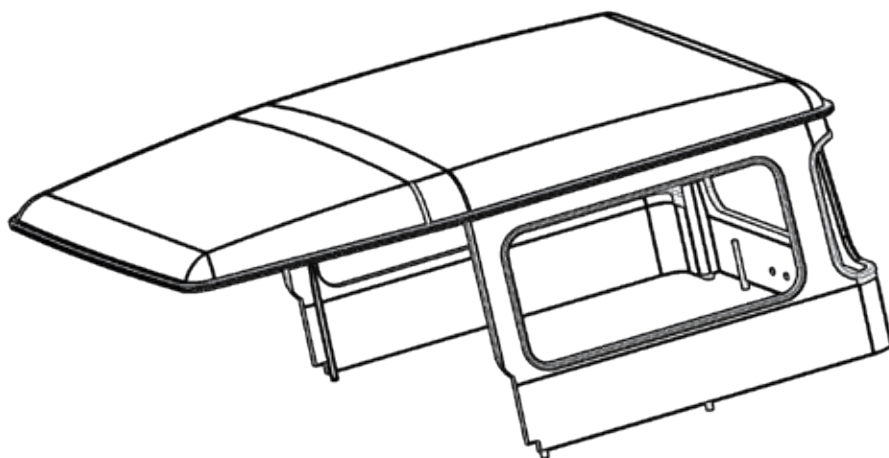
RC4WD warranties its electronics for 30 days from date of arrival. This covers all electrical items except items that are already noted on the individual product page.



Body



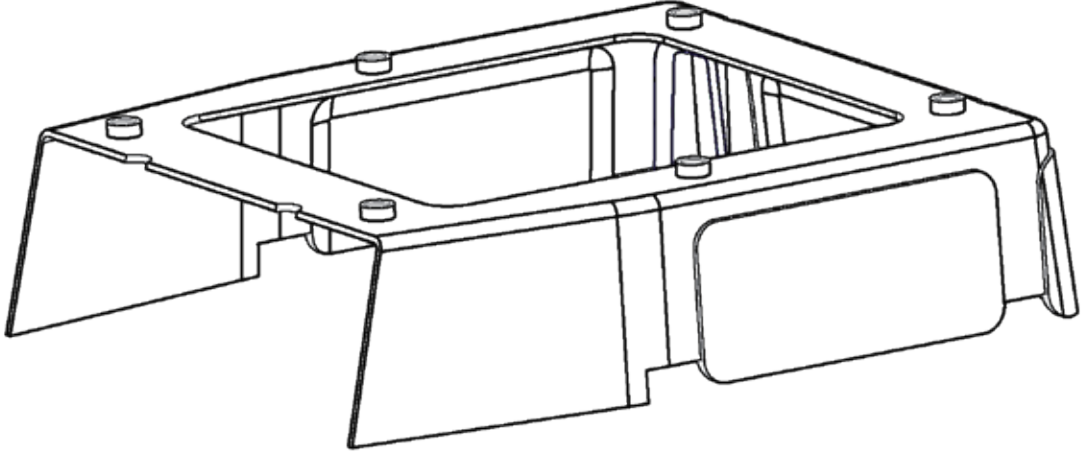
Z-B0061



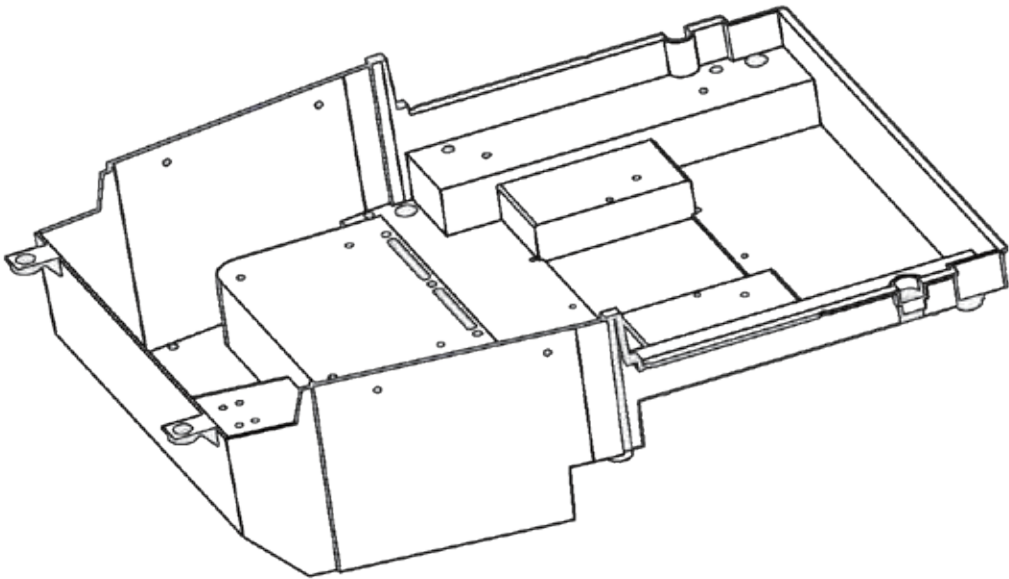
Z-B0065



Body

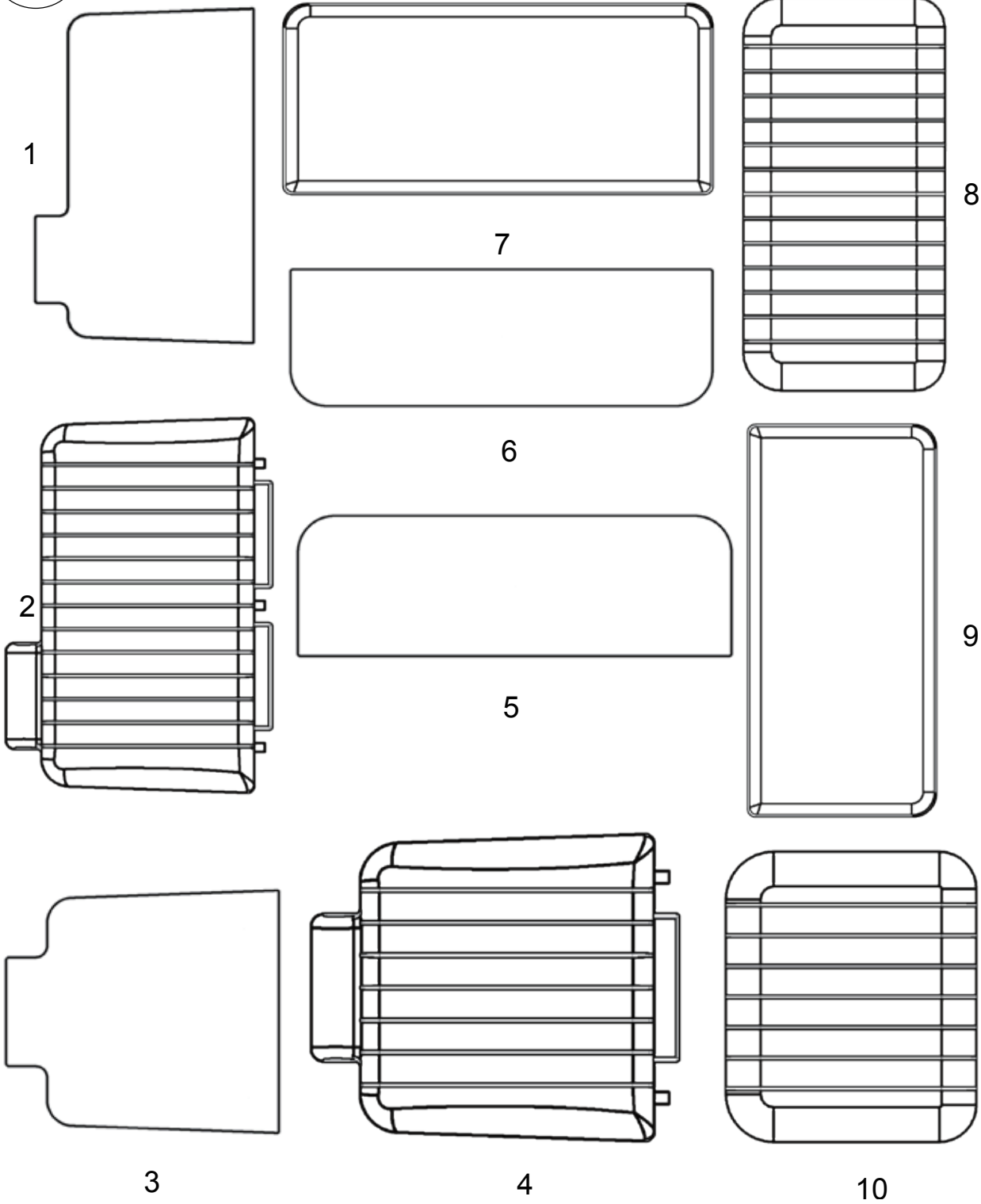


Z-B0079



Z-B0063

Body

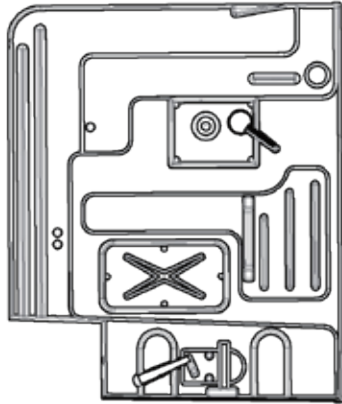


Z-B0069

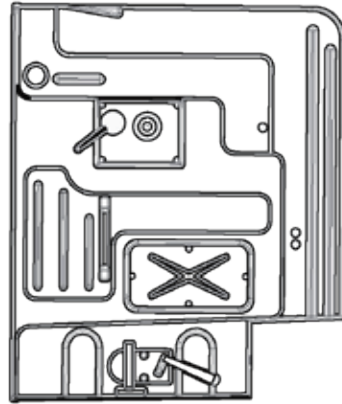


Body

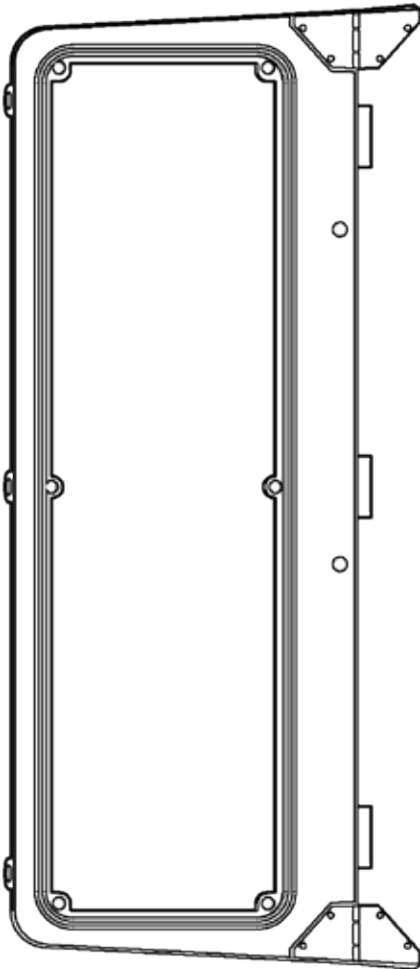
1



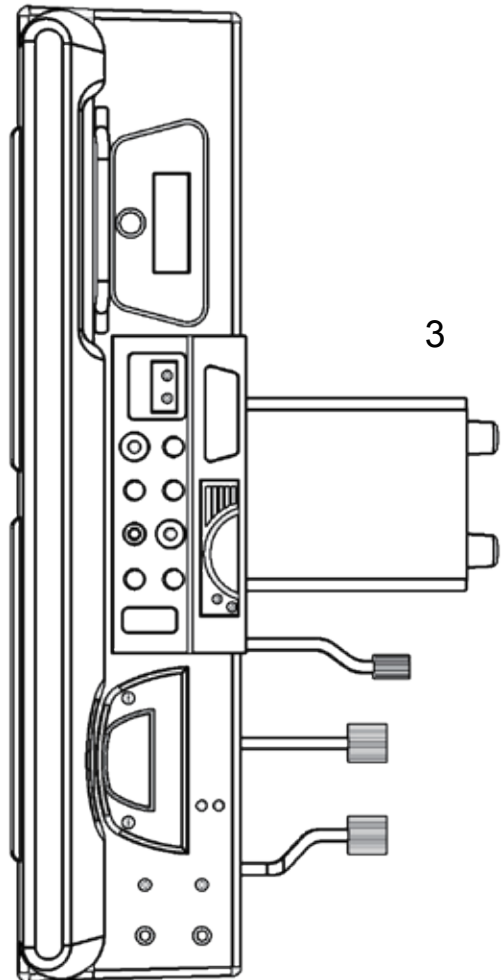
4



2

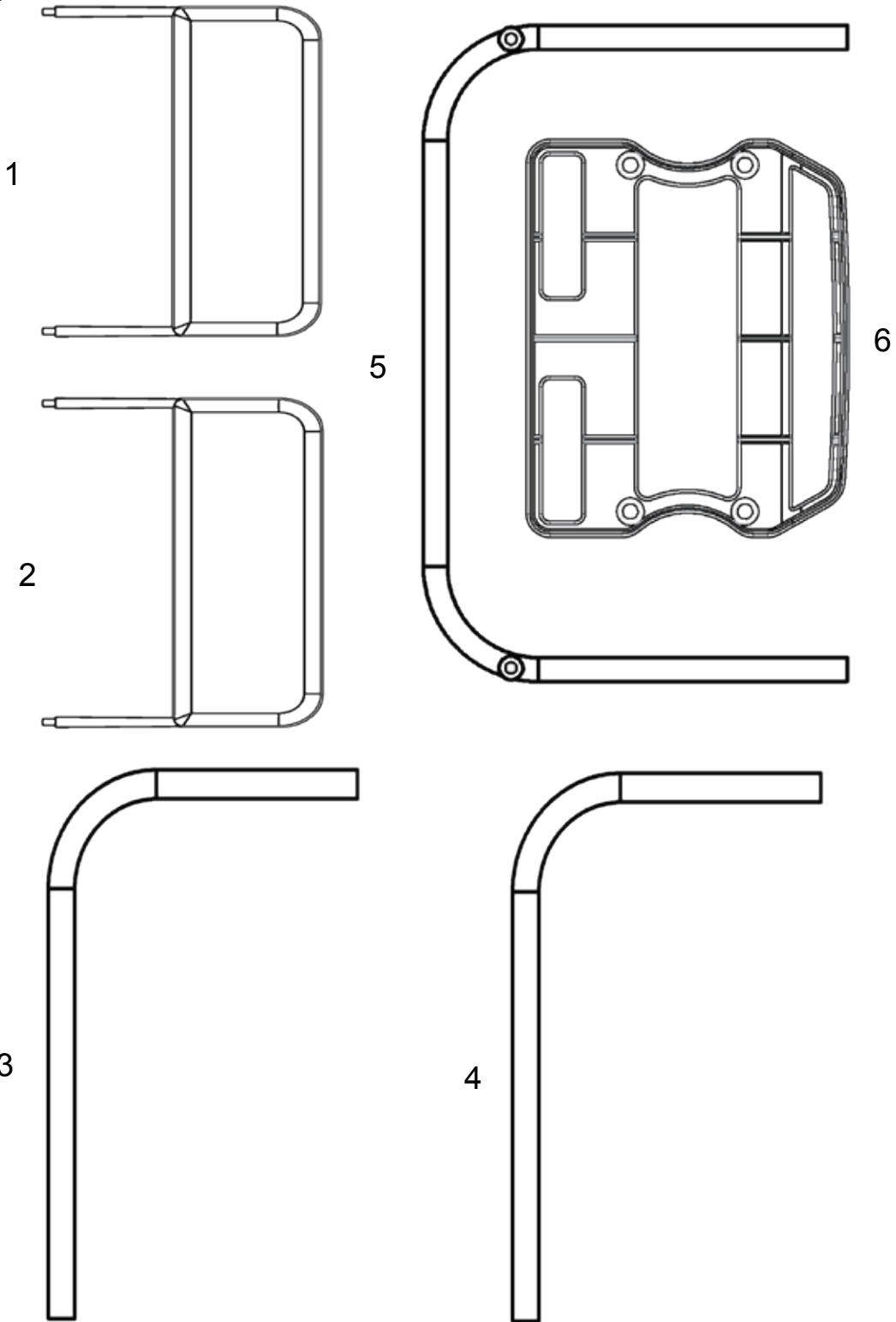


3



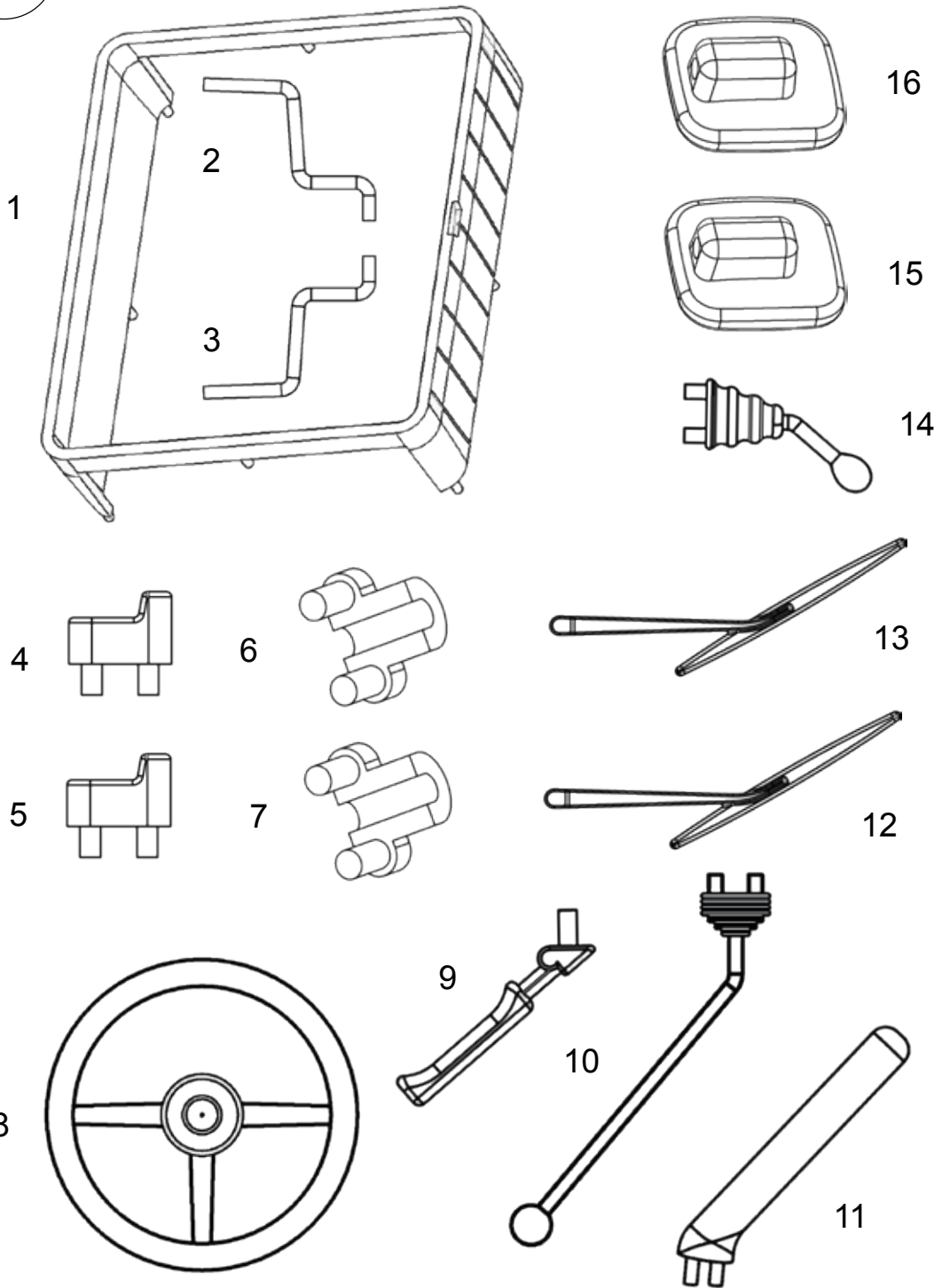
Z-B0067

Body



Z-B0073

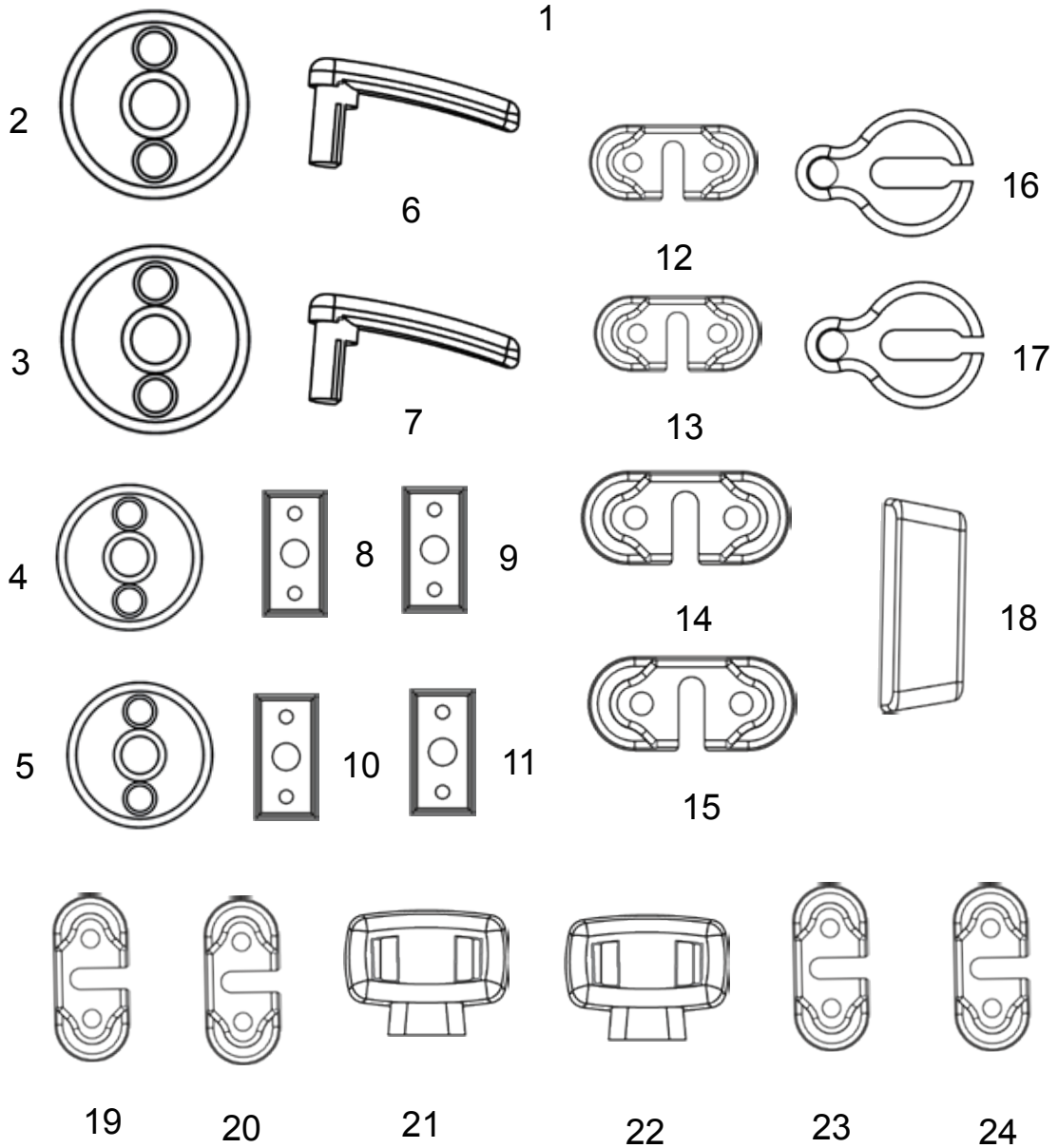
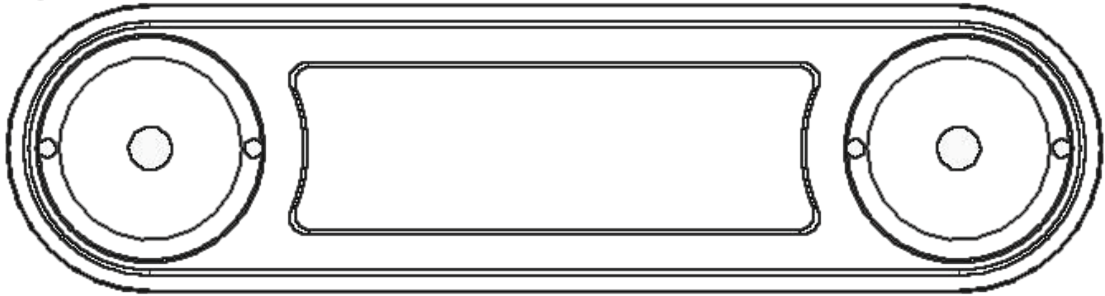
Body



Z-B0071

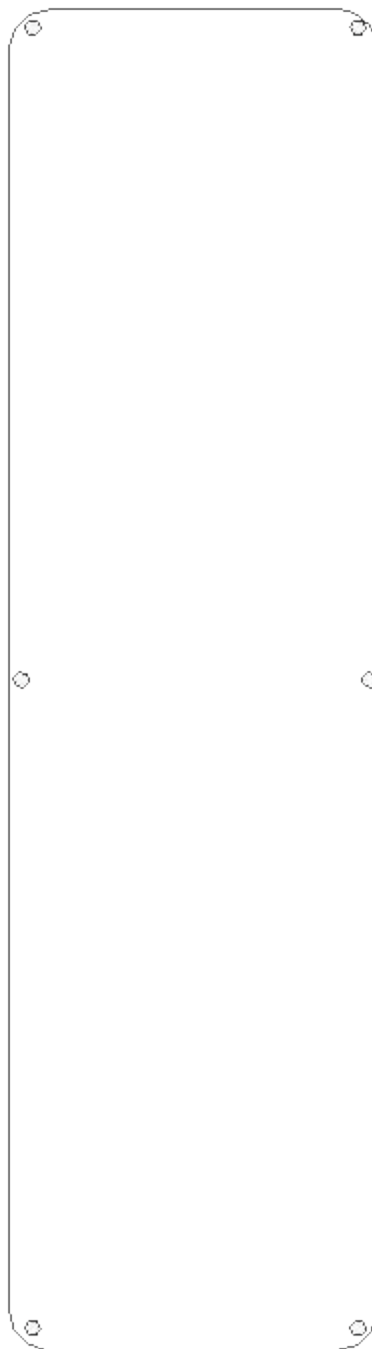
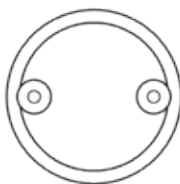
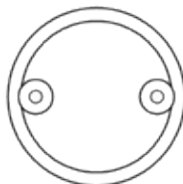
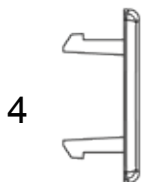
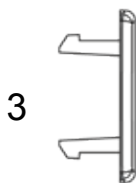
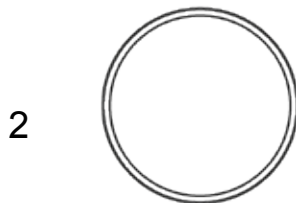
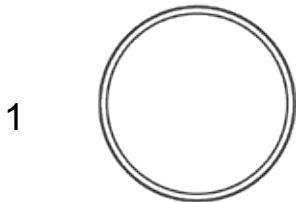


Body



Z-B0075

Body

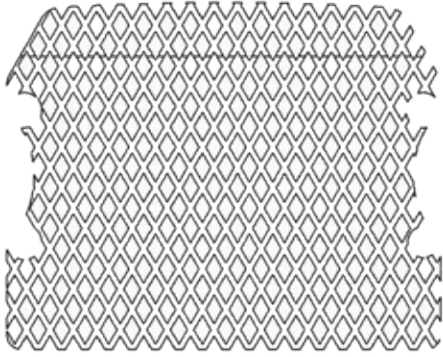


13

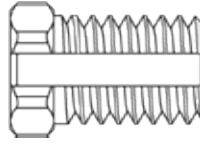
Z-B0077



Body

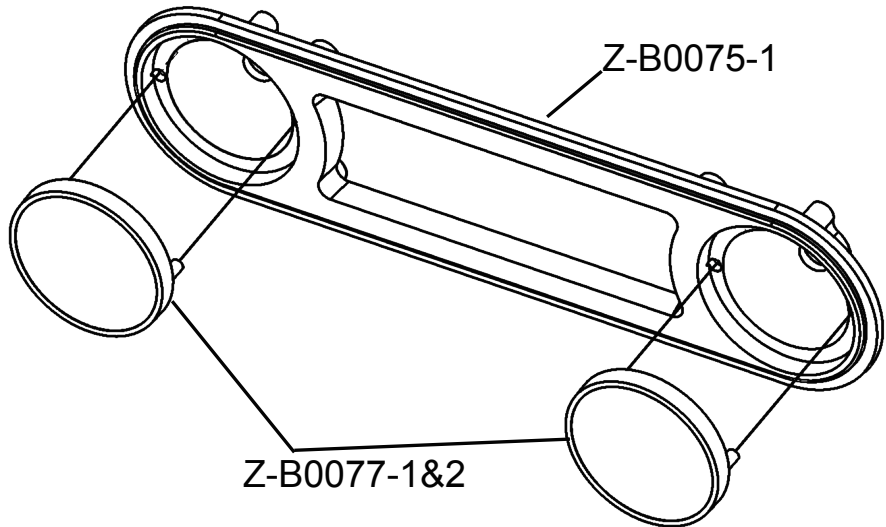


Z-B0081




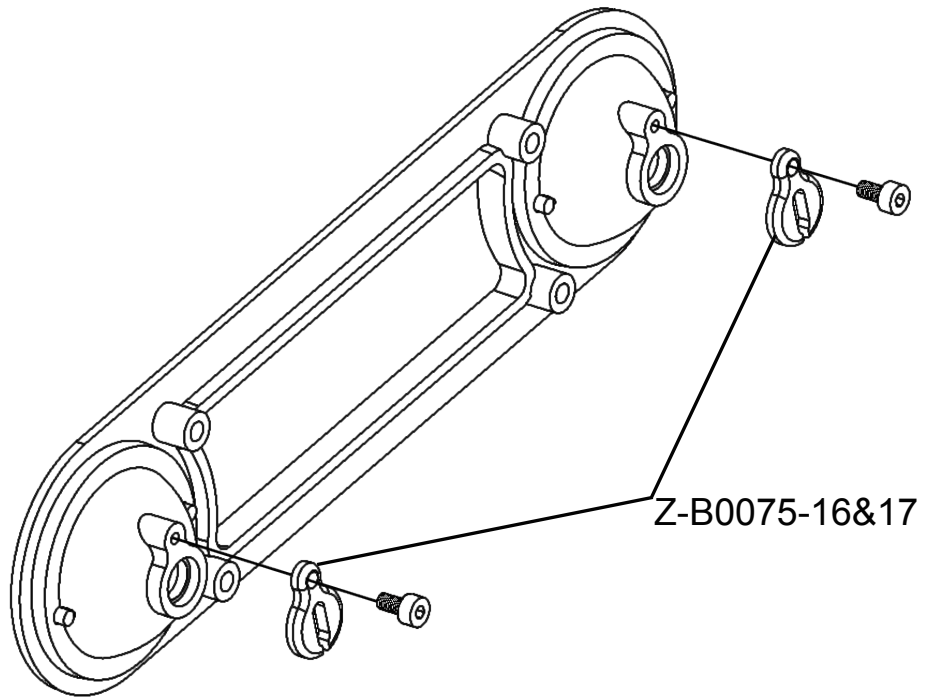
Z-B0083

RC4WD
Step 1

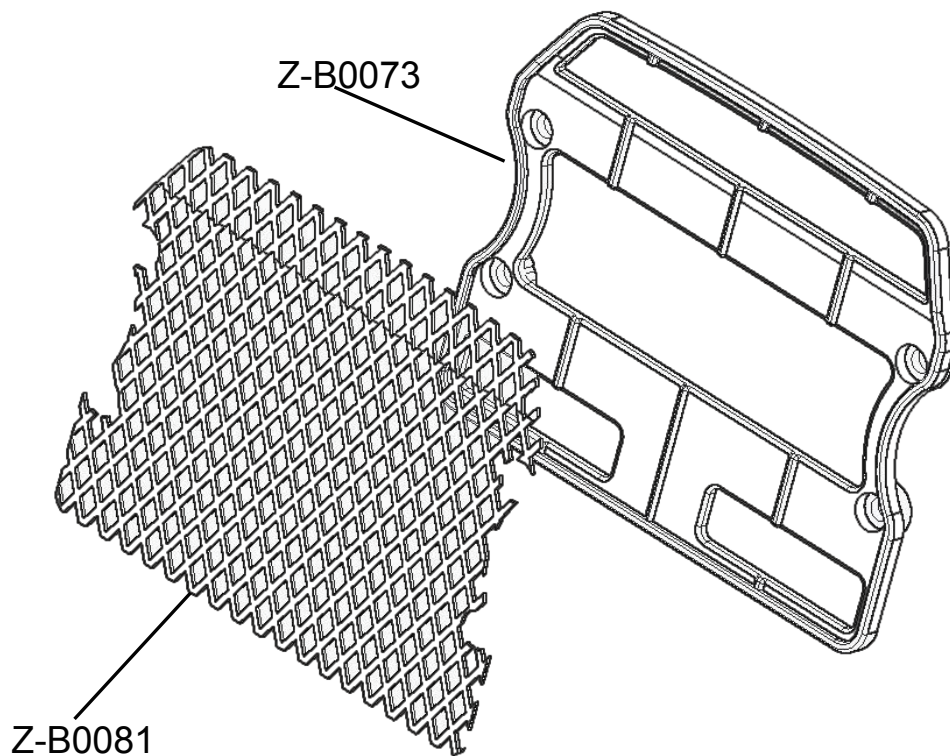


RC4WD
Step 2


 X2
150-0162
M1.6 x 5mm SHCS

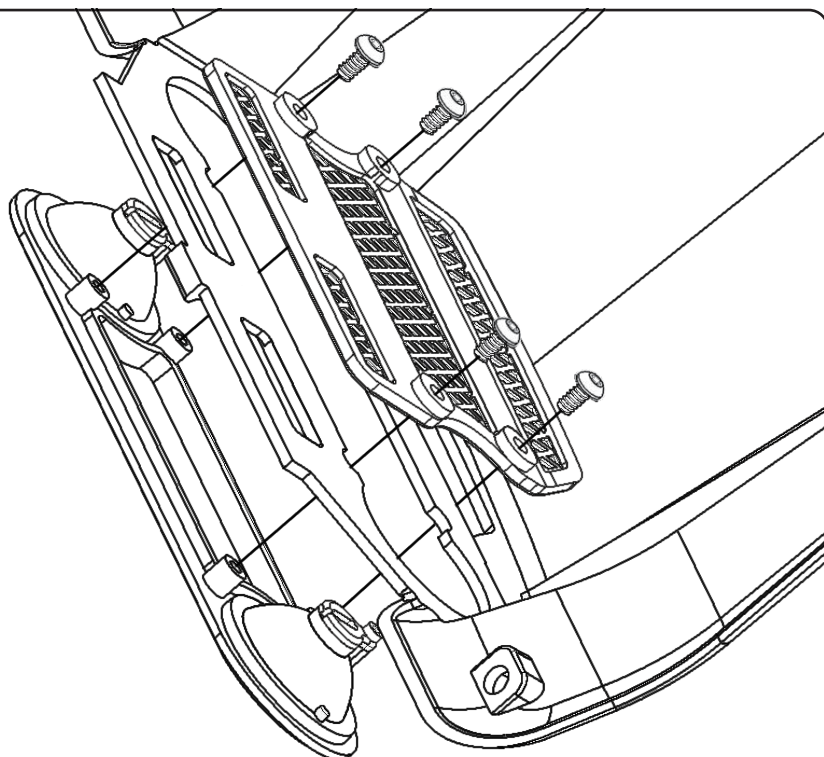


RC4WD
Step 3

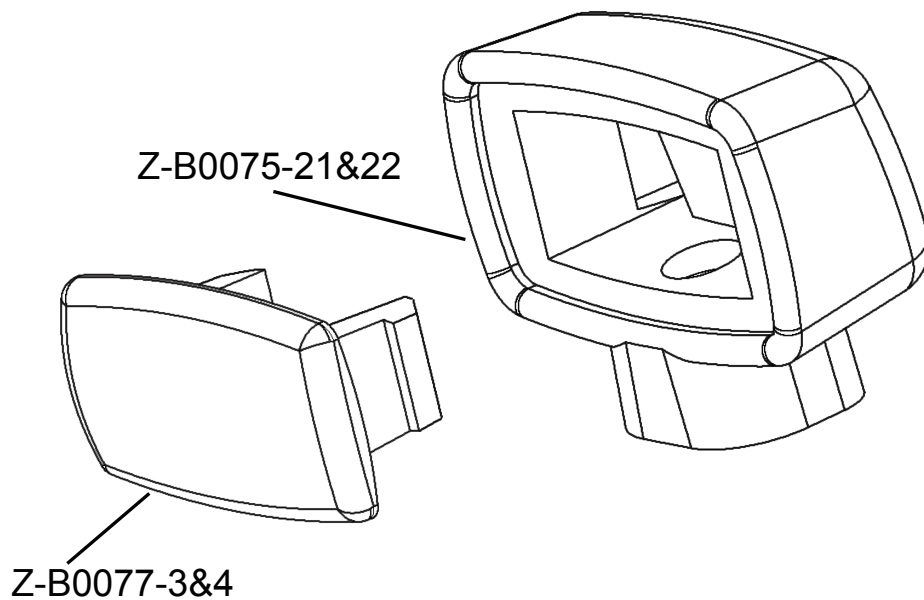


RC4WD
Step 4

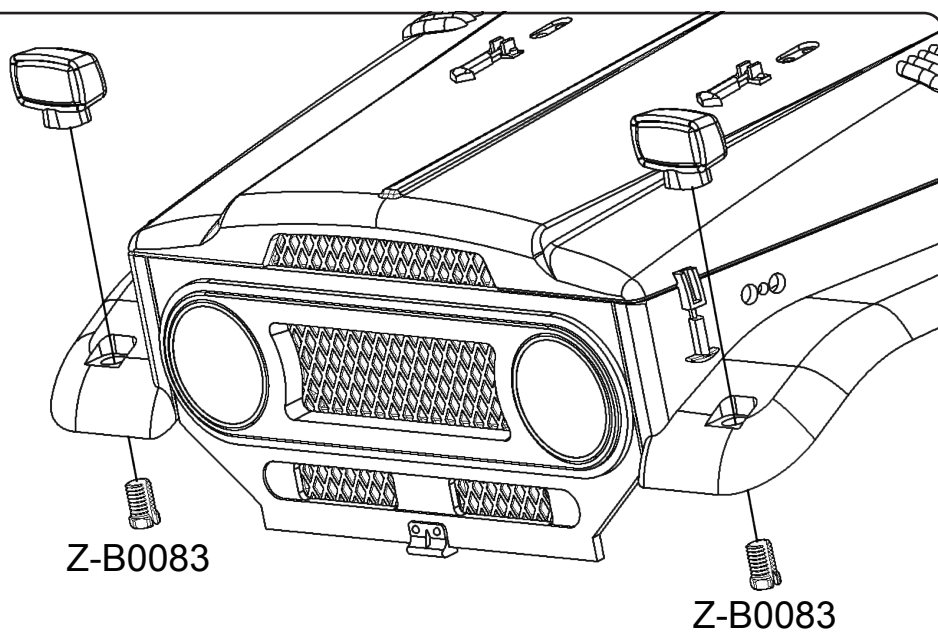
 X4
150-0061
M3 x 6mm BHCS



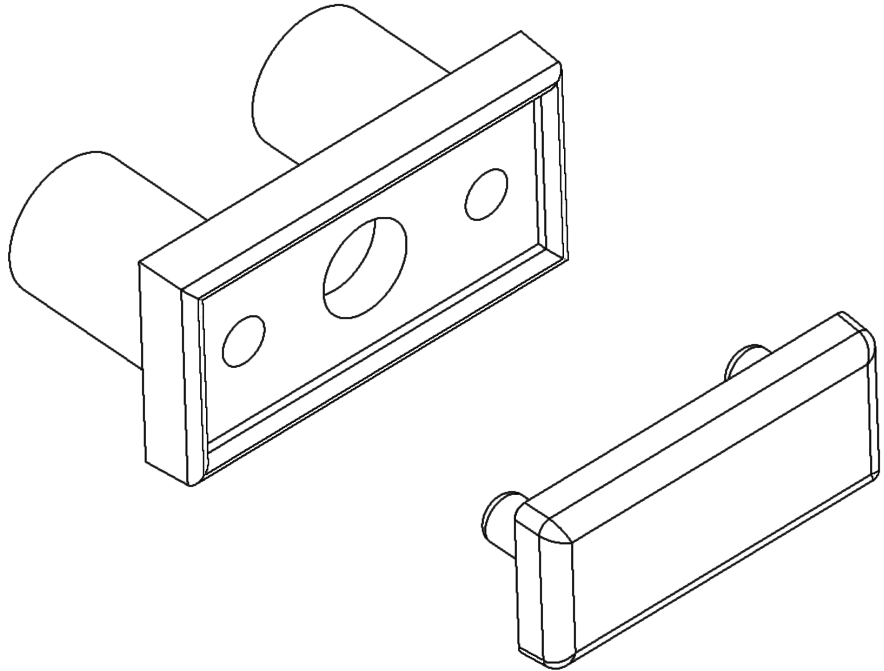
RC4WD
Step 5




RC4WD
Step 6

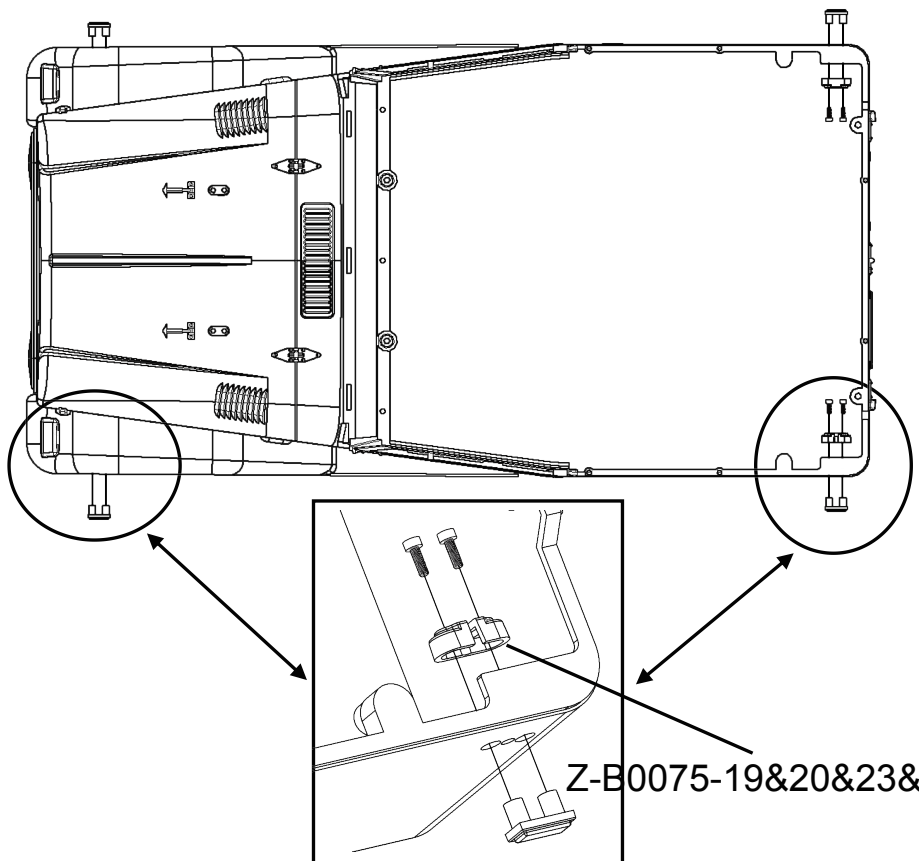


RC4WD
Step 7



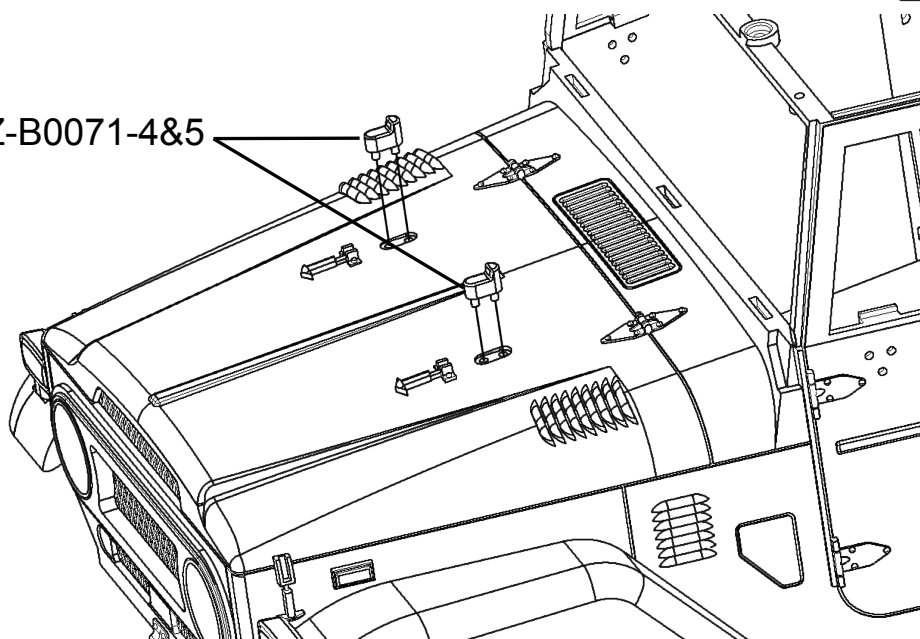
RC4WD
Step 8

 X2
150-0162
M1.6 x 5mm SHCS



RC4WD
Step 9

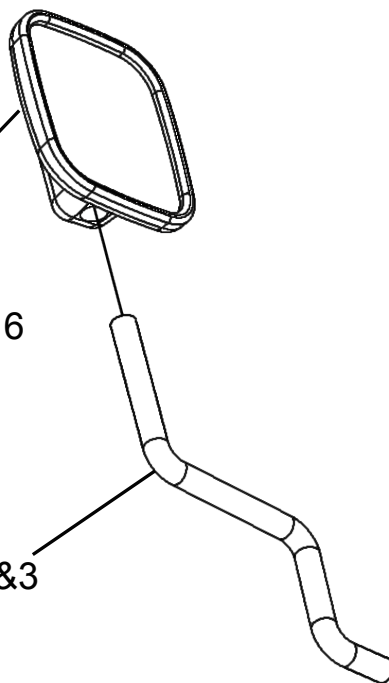
Z-B0071-4&5



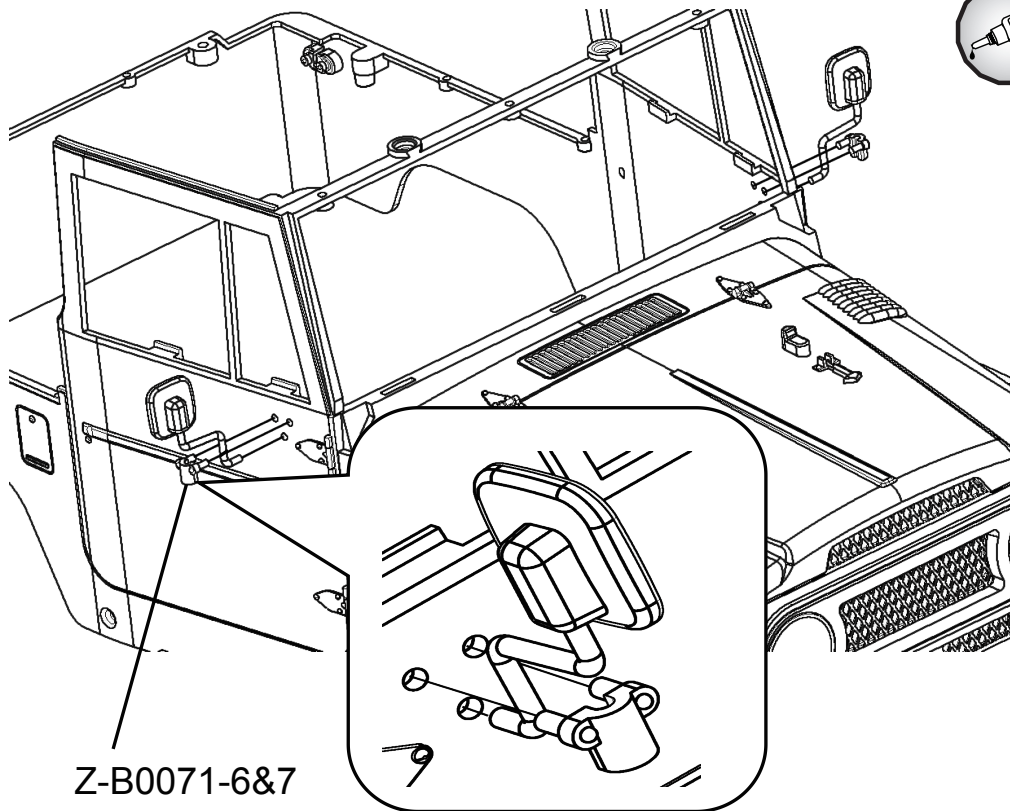
RC4WD
Step 10

Z-B0071-15&16

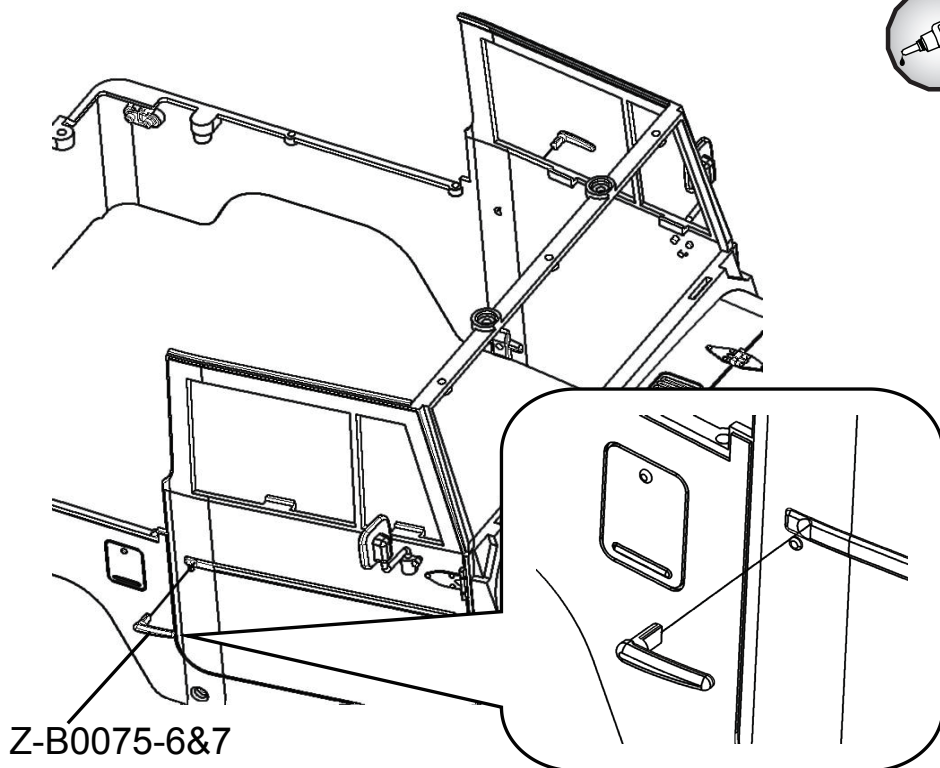
Z-B0071-2&3



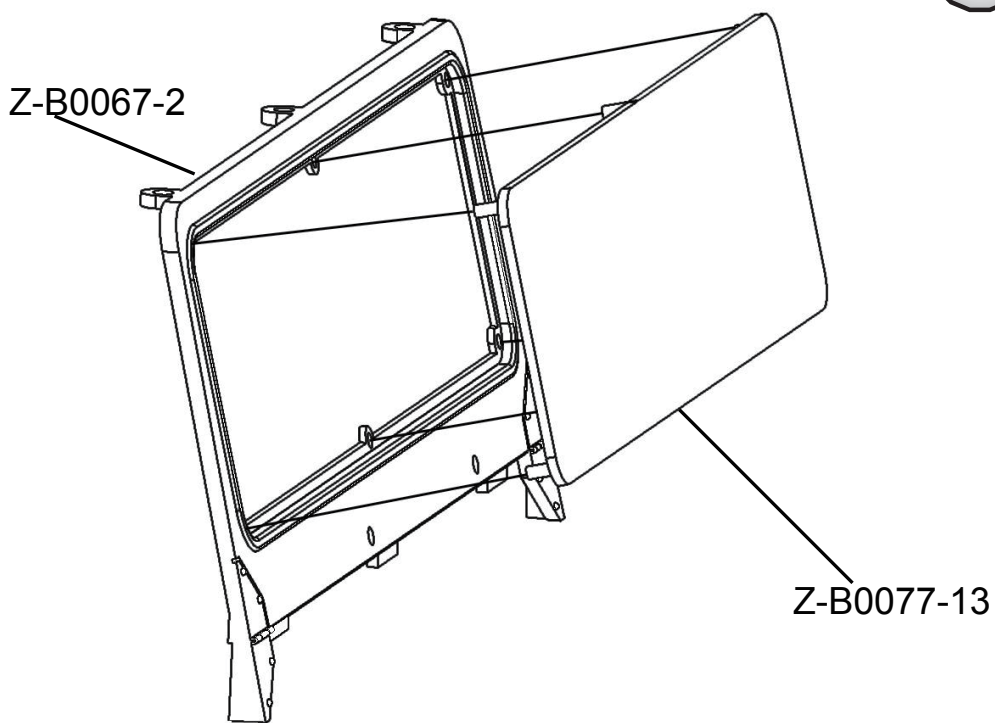
RC4WD
Step 11



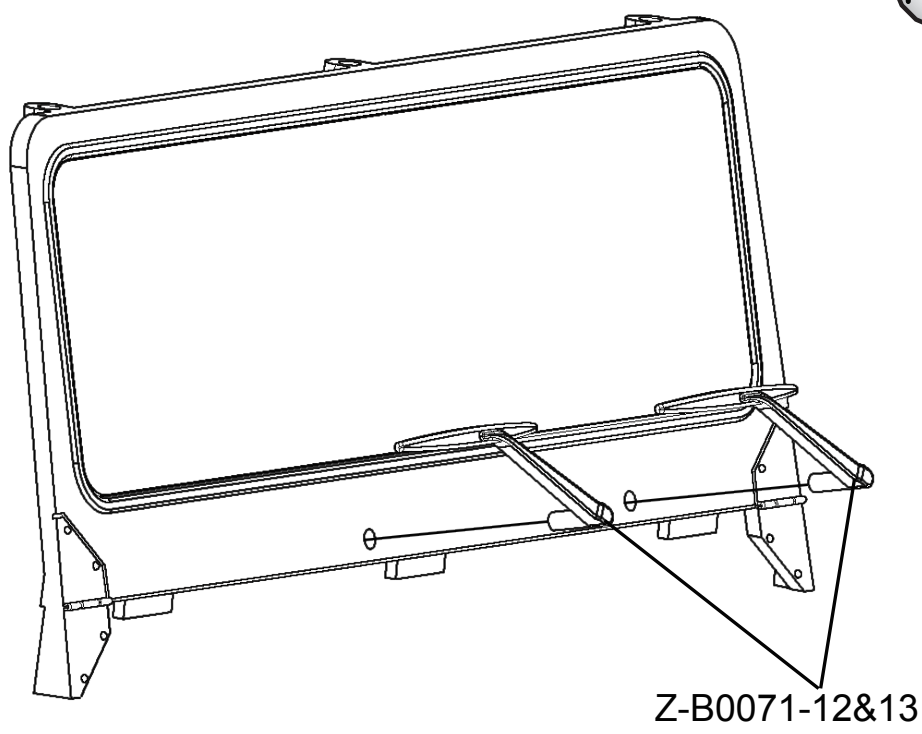
RC4WD
Step 12




RC4WD
Step 13

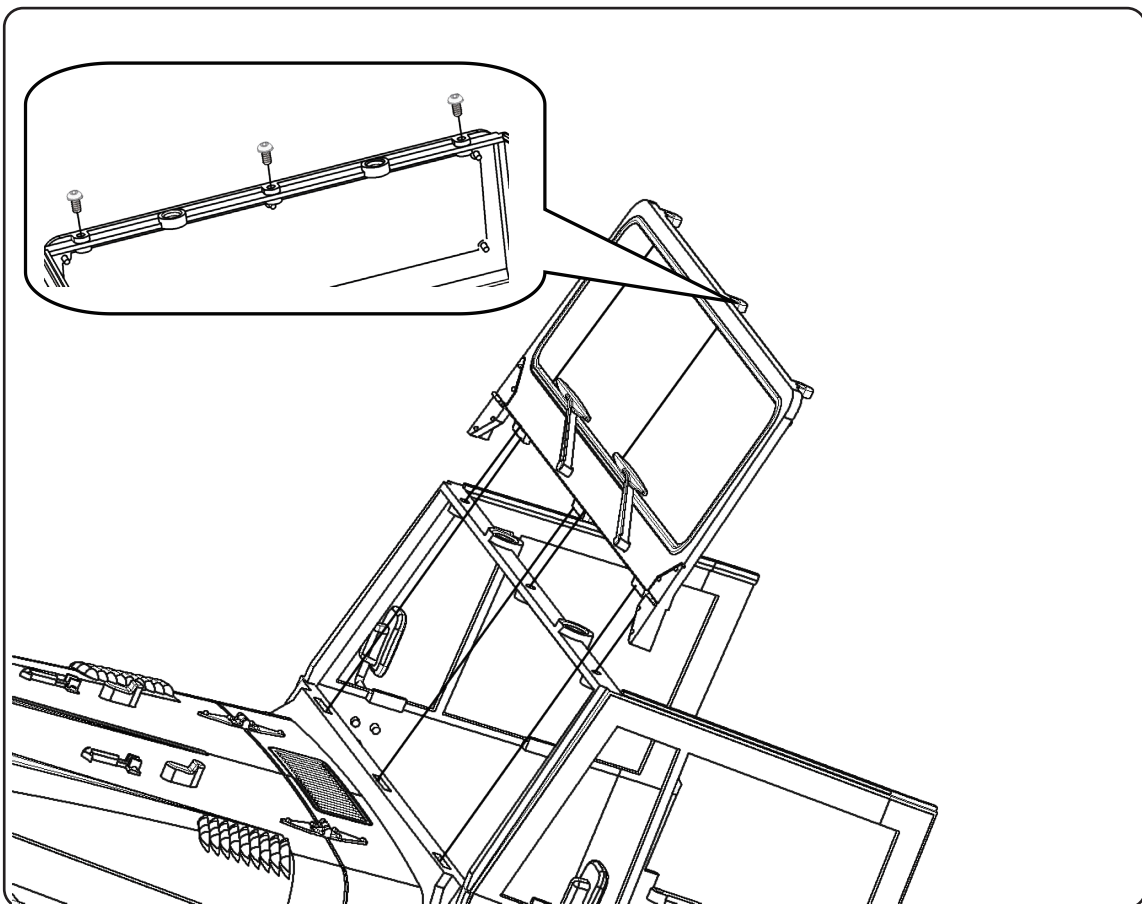


RC4WD
Step 14




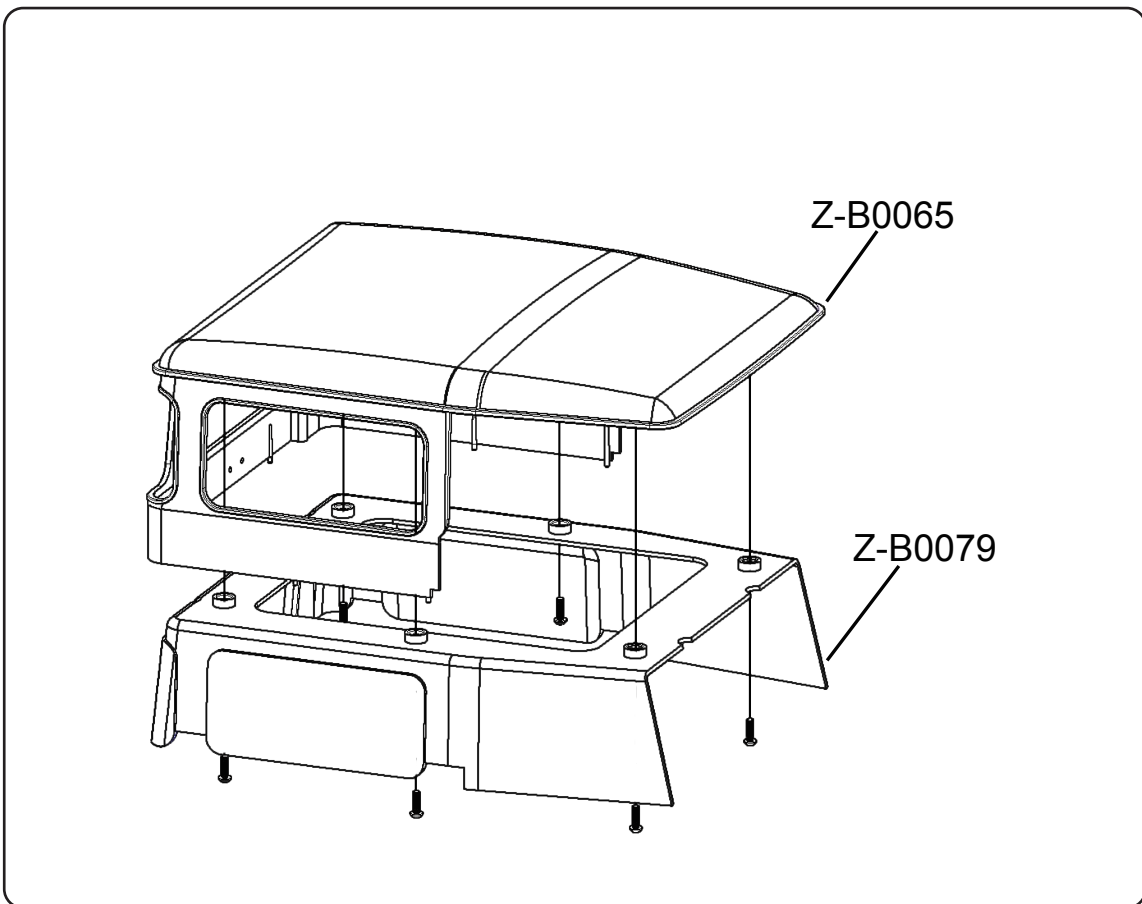
RC4WD Step 15

 X3
150-0053
M2.5 x 6mm BHCS

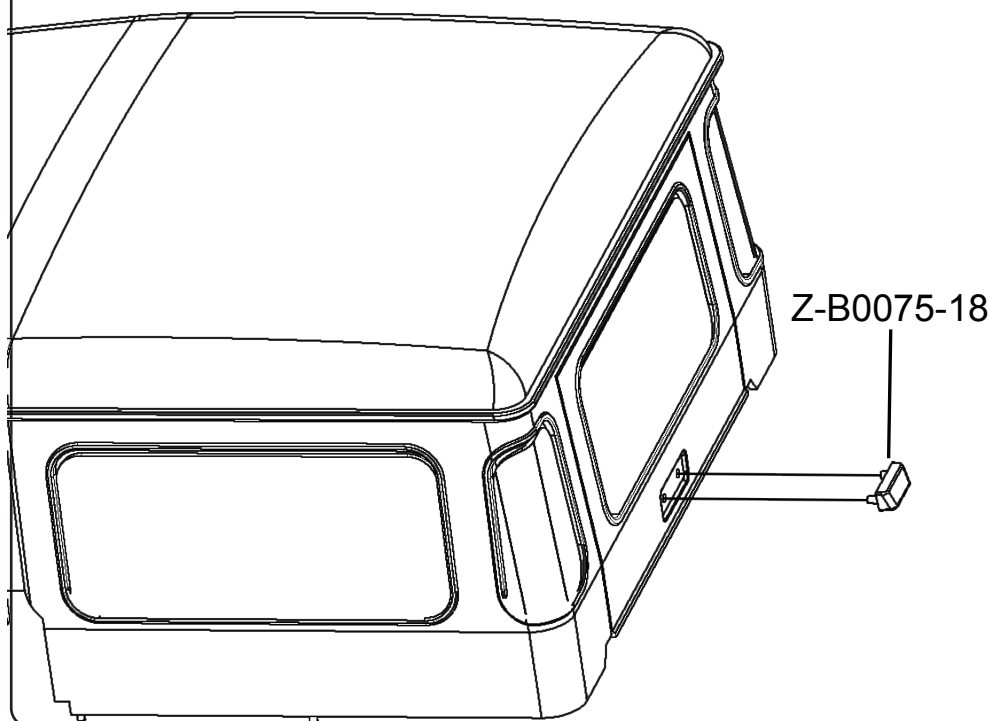


RC4WD Step 16

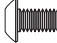
 X6
150-0063
M3 x 10mm BHCS

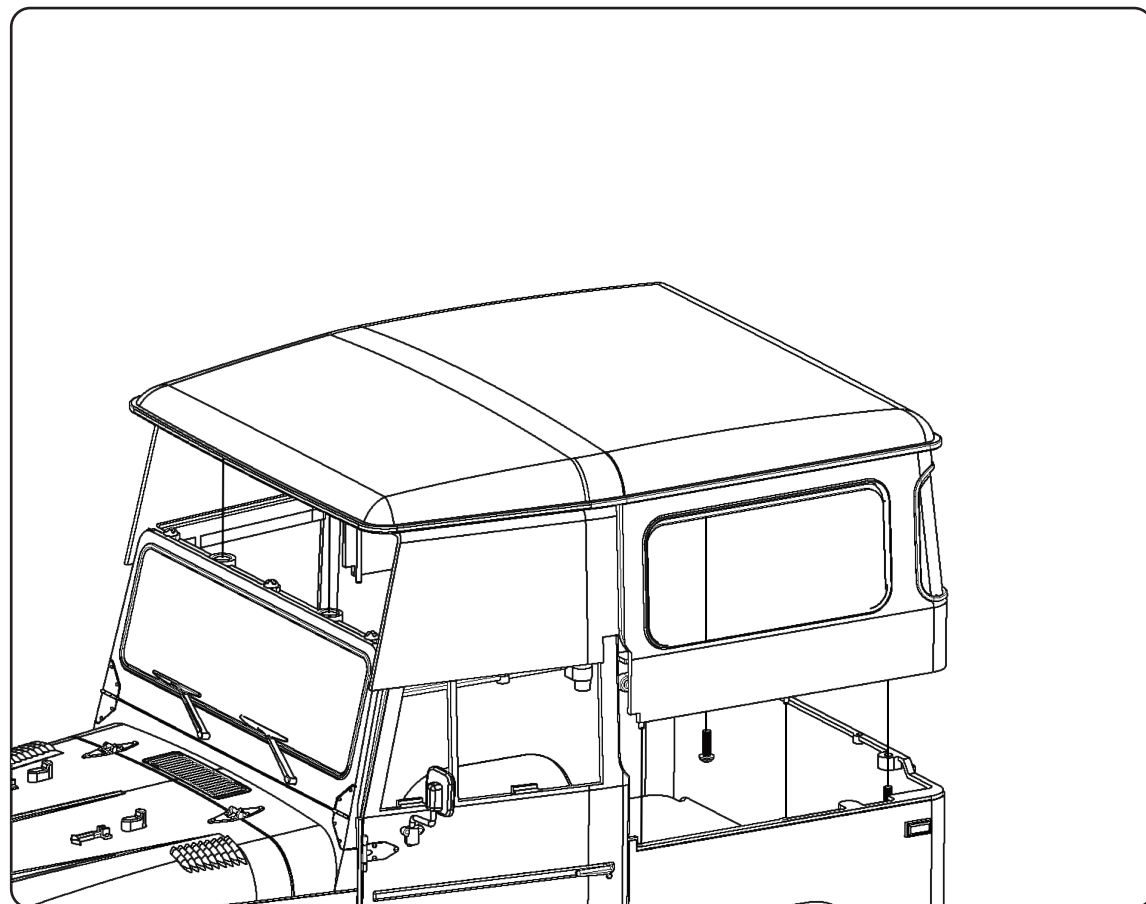


RC4WD
Step 17

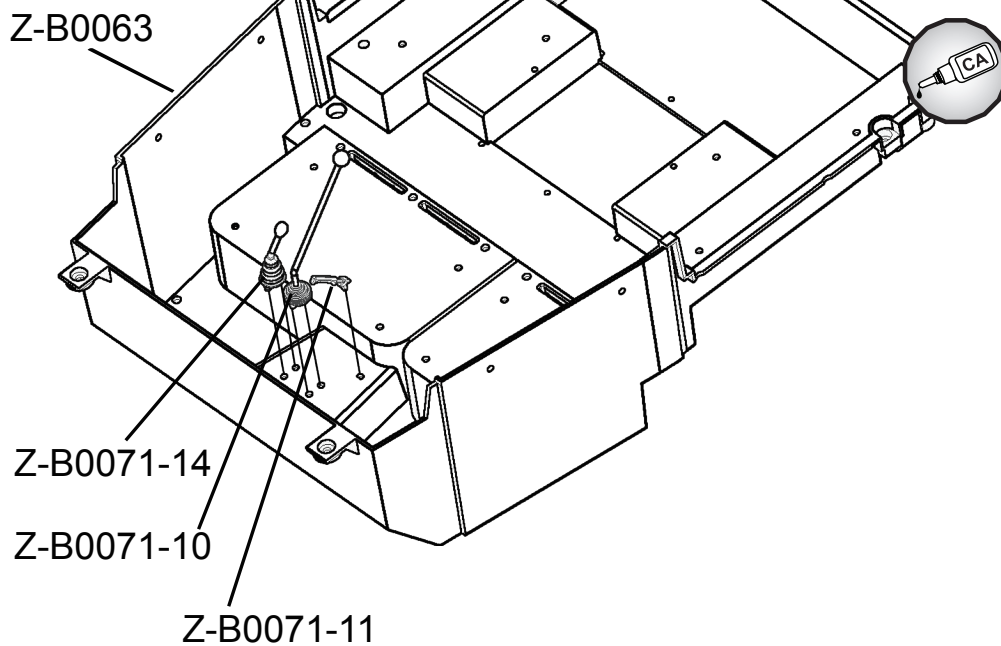


RC4WD
Step 18


 X4
150-0063
M3 x 10mm BHCS

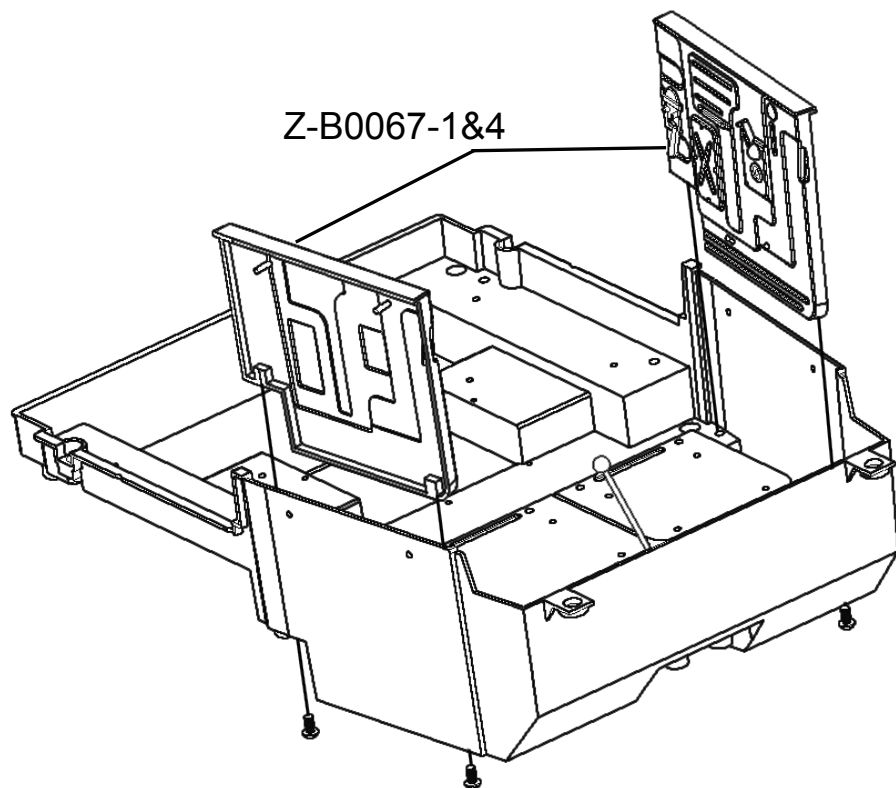


RC4WD
Step 19

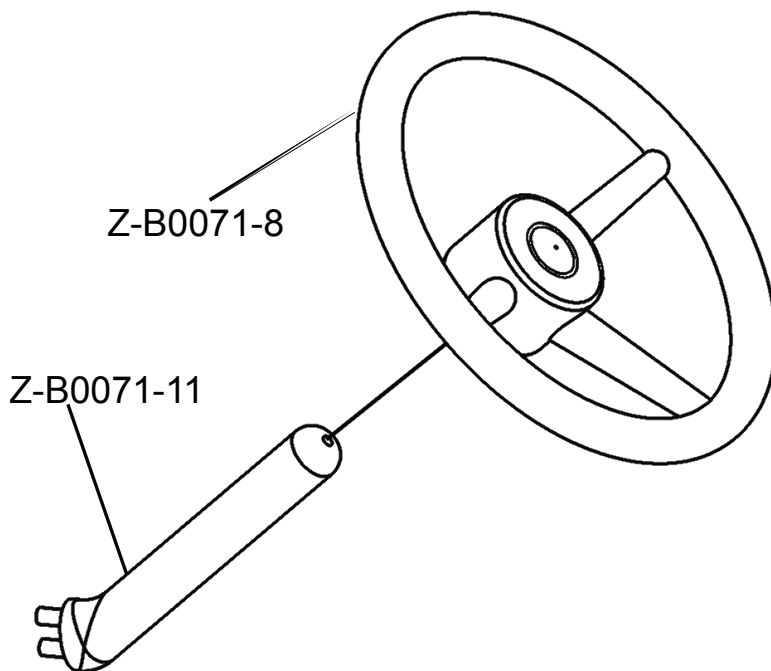


RC4WD
Step 20

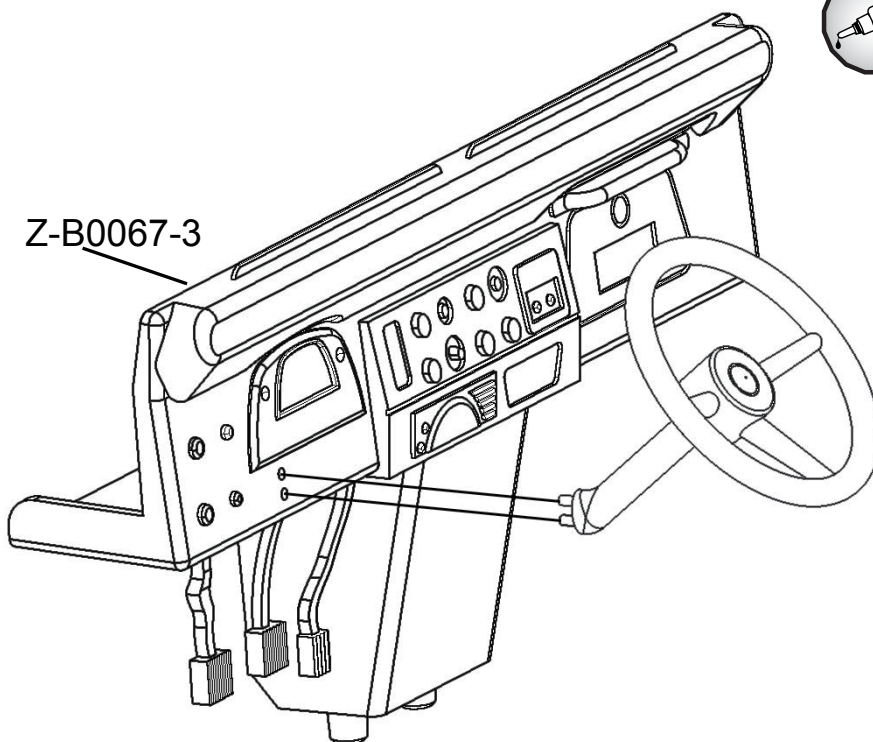
 X4
150-0053
M2.5 x 6mm BHCS




RC4WD
Step 21

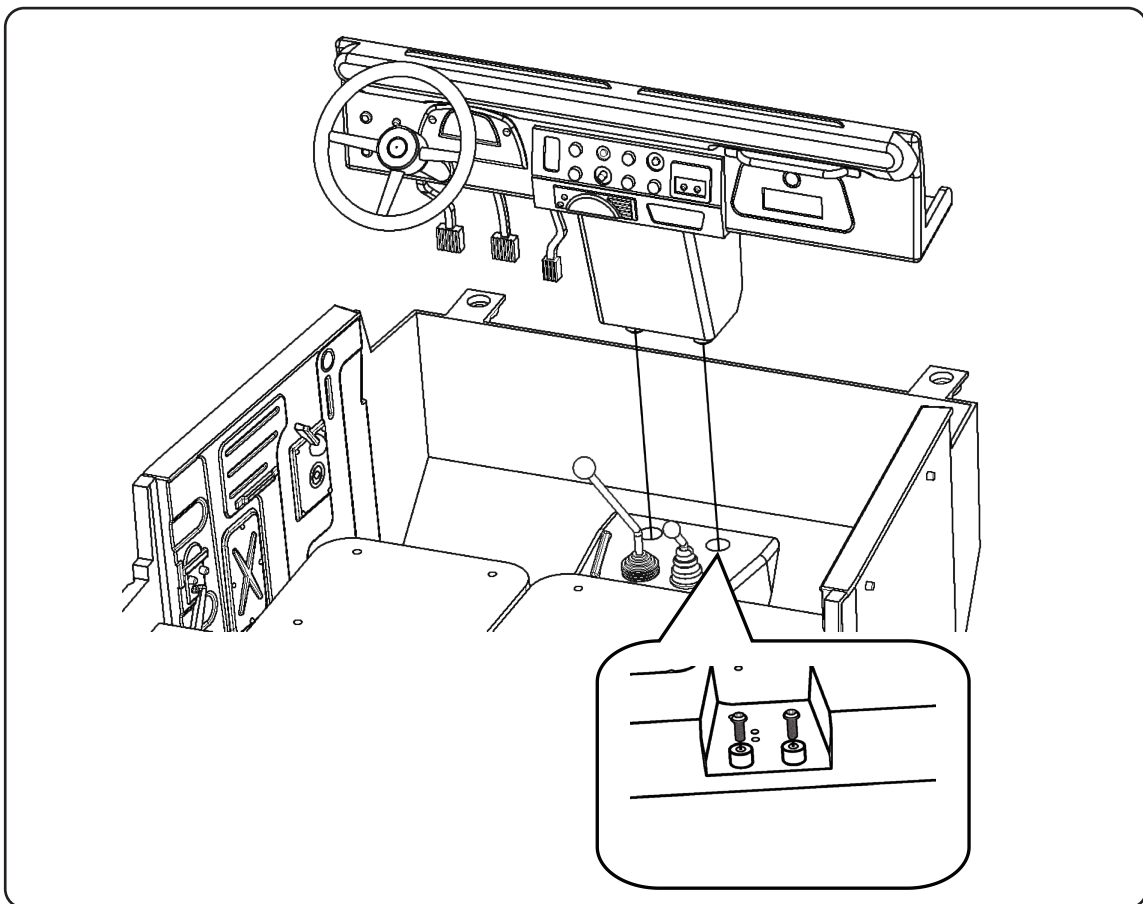


RC4WD
Step 22



RC4WD Step 23

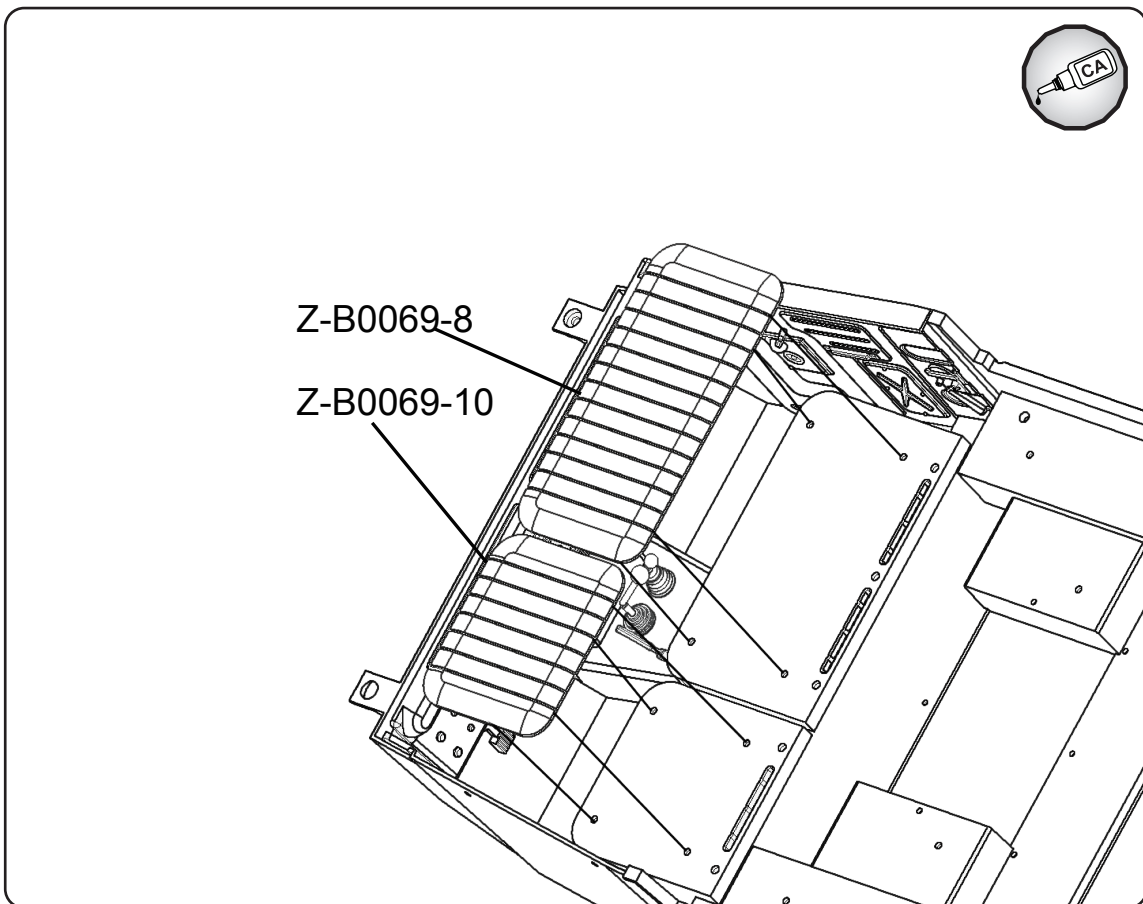
 X2
150-0063
M3 x 10mm BHCS



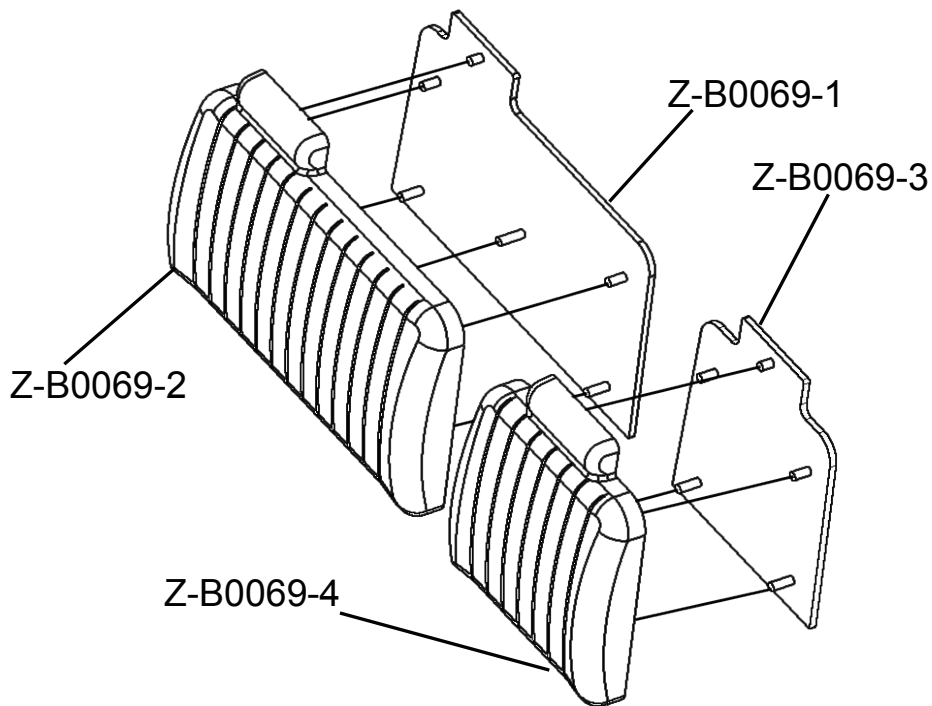
RC4WD Step 24



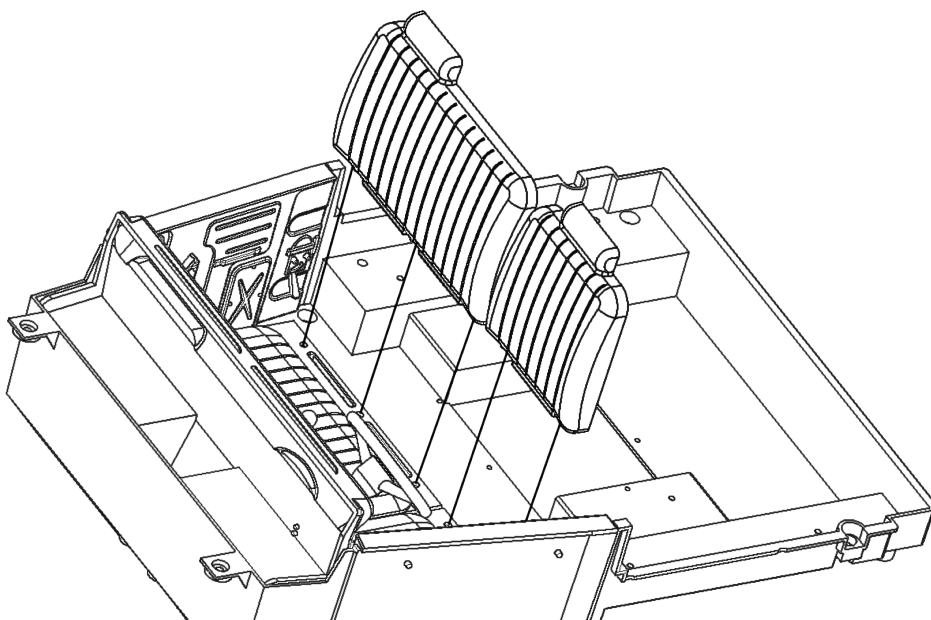
Z-B0069-8
Z-B0069-10



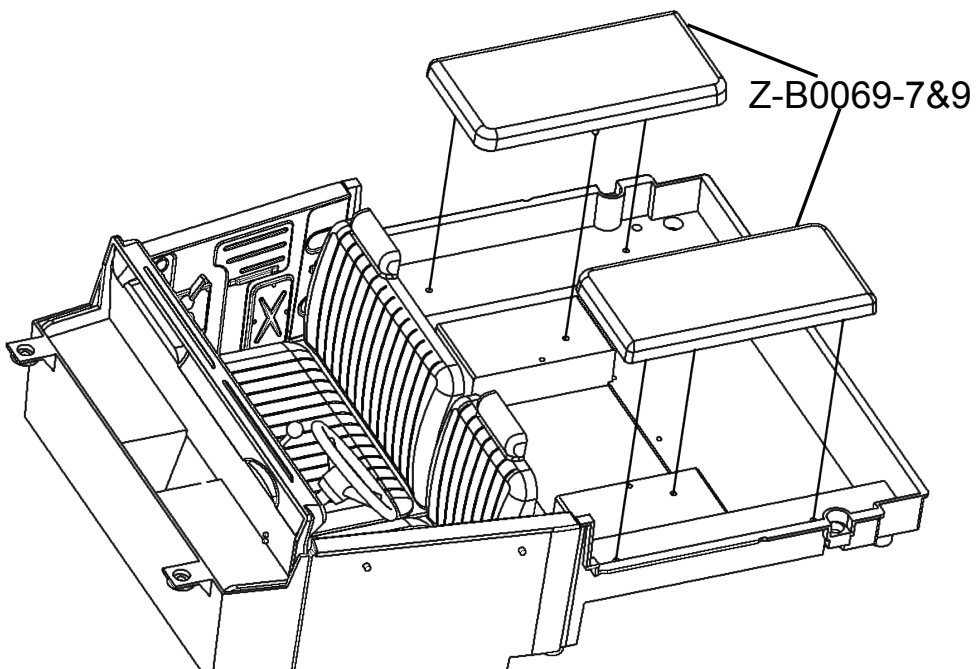
RC4WD
Step 25



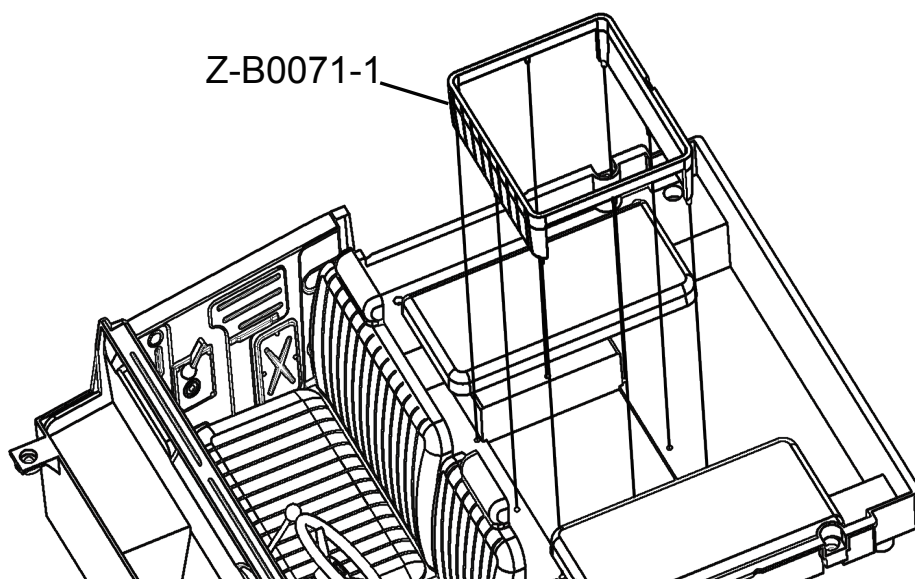
RC4WD
Step 26



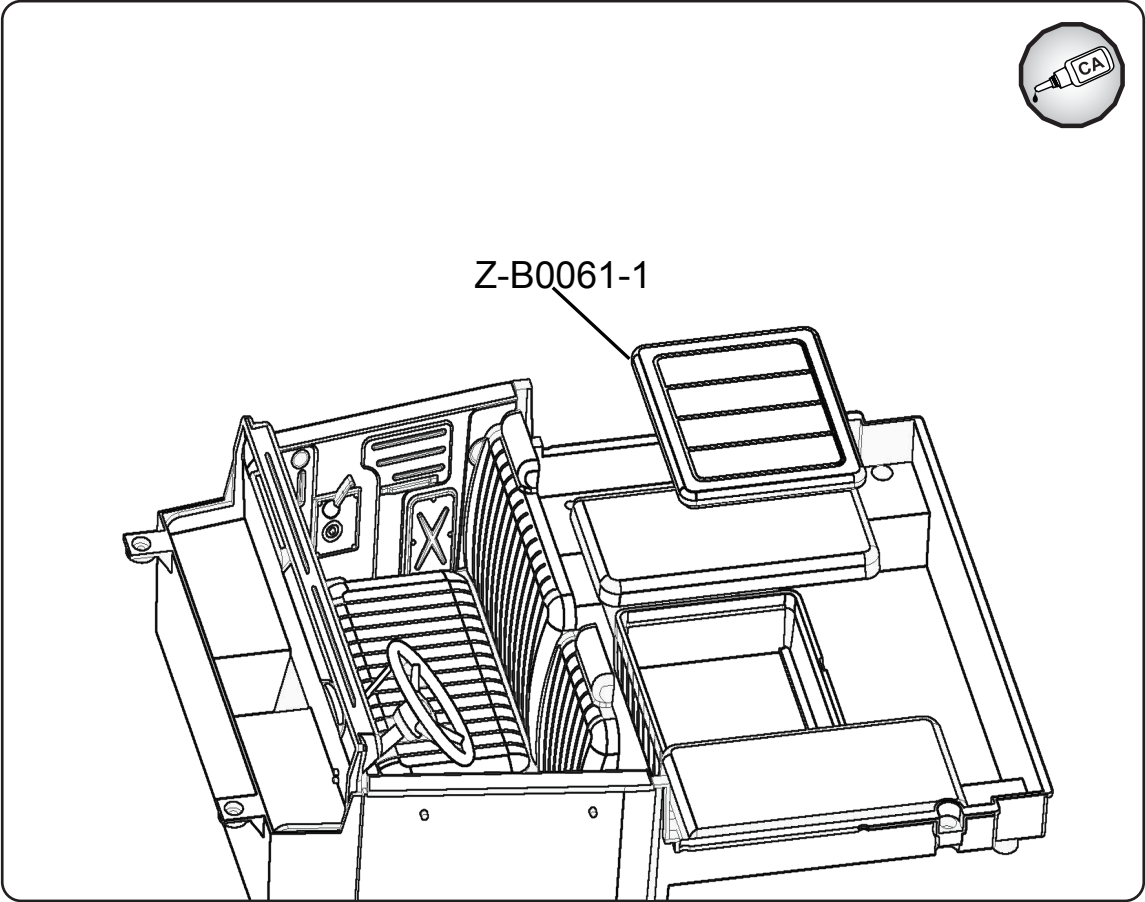
RC4WD
Step 27



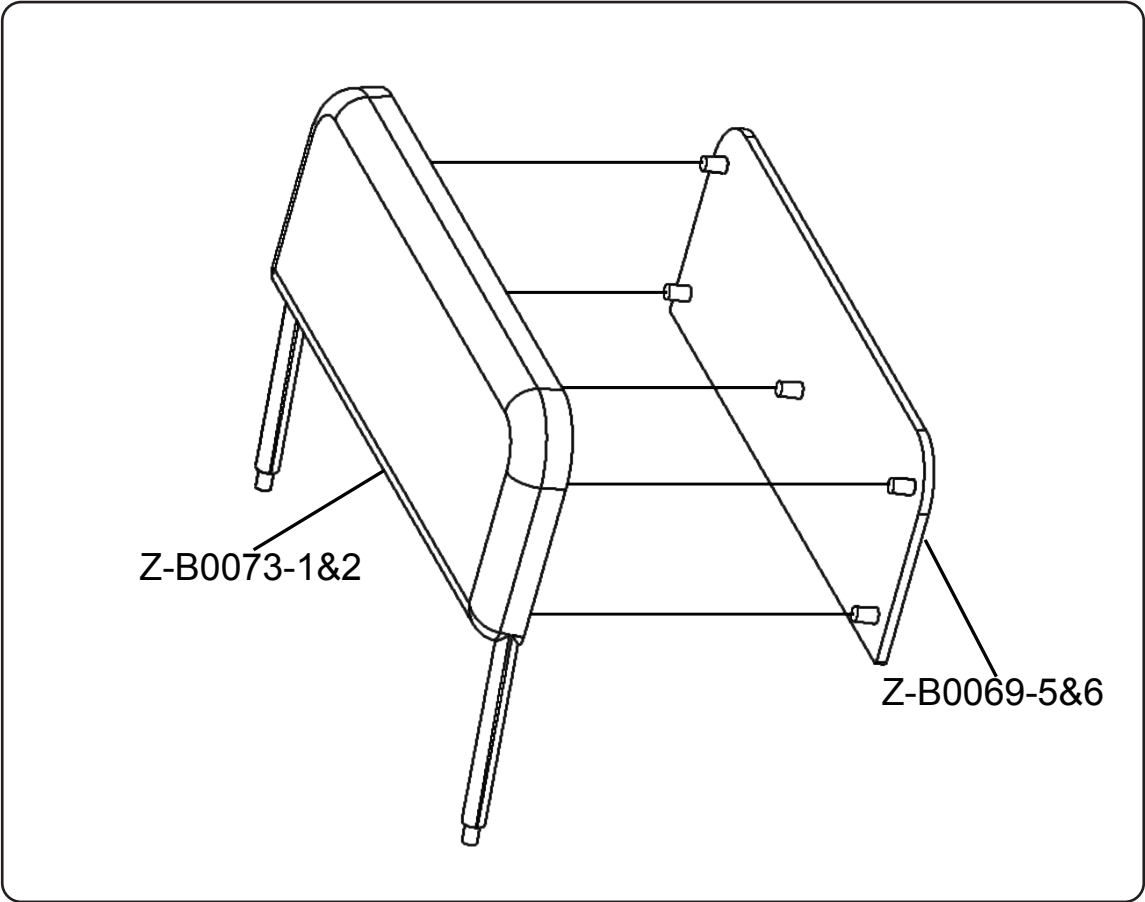
RC4WD
Step 28



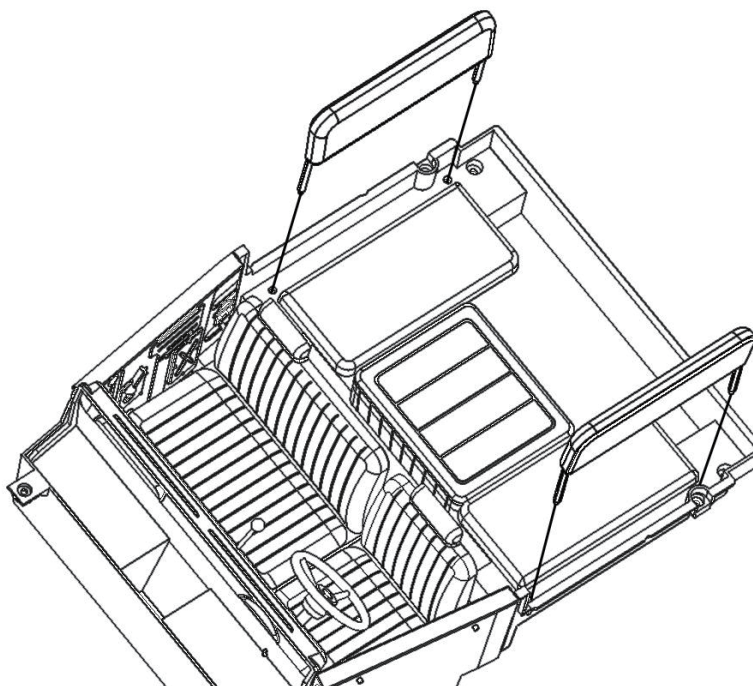
RC4WD
Step 29




RC4WD
Step 30

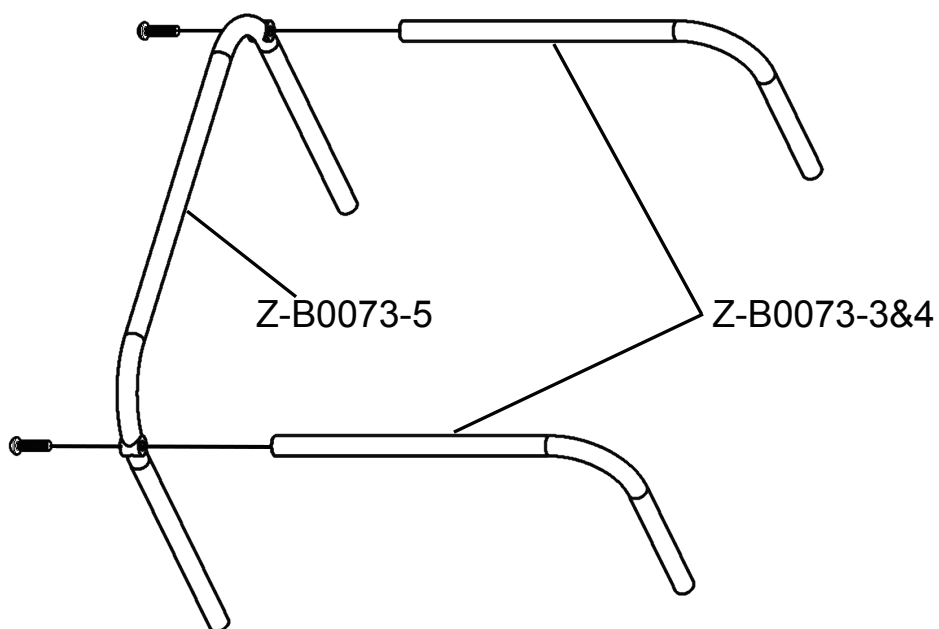


RC4WD
Step 31




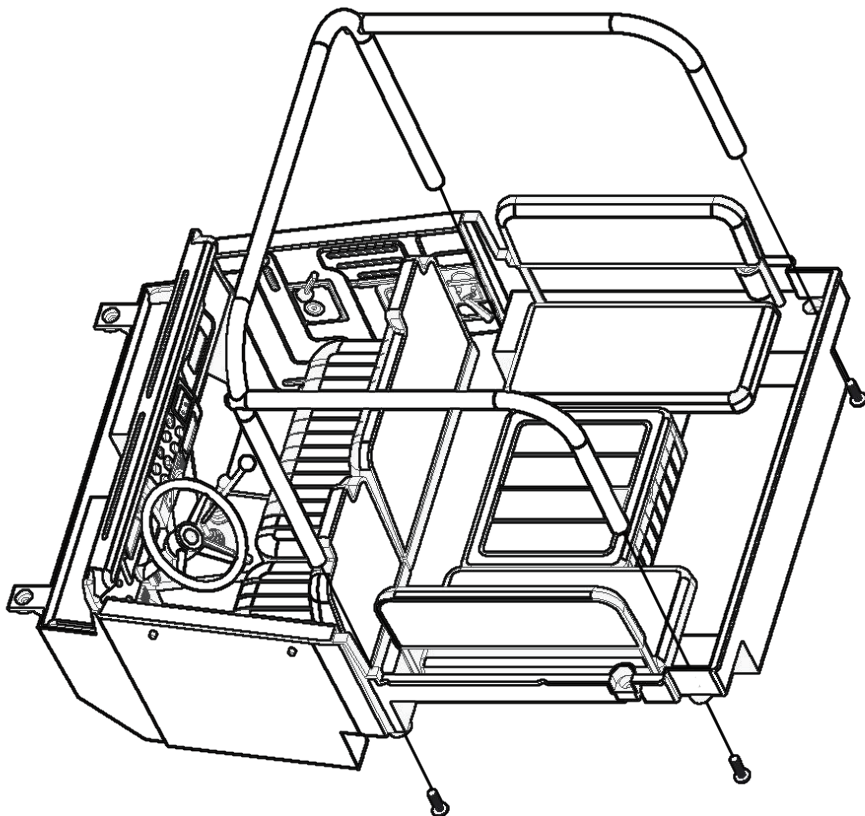
RC4WD
Step 32

 X2
150-0064
M3 x 12mm BHCS




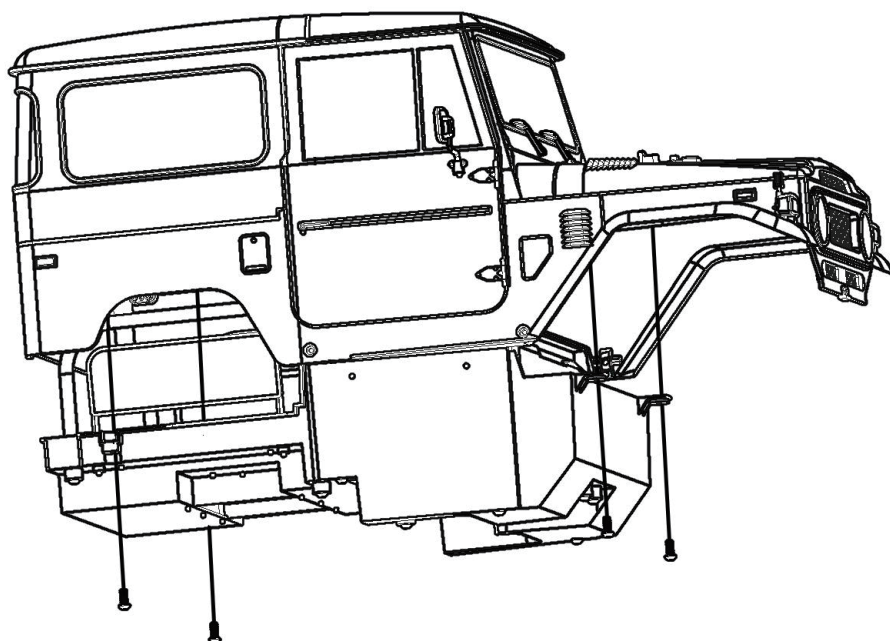
RC4WD
Step 33

 X4
150-0063
M3 x 10mm BHCS




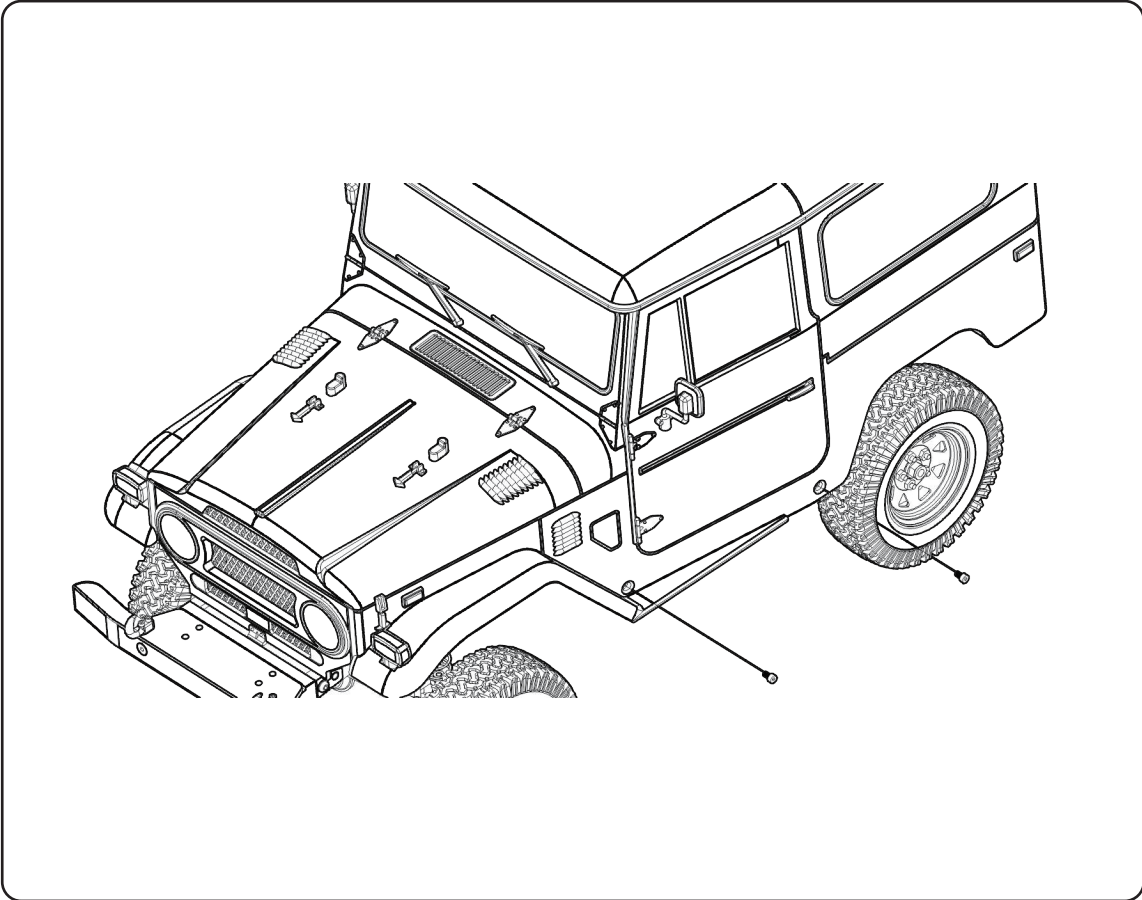
RC4WD
Step 34

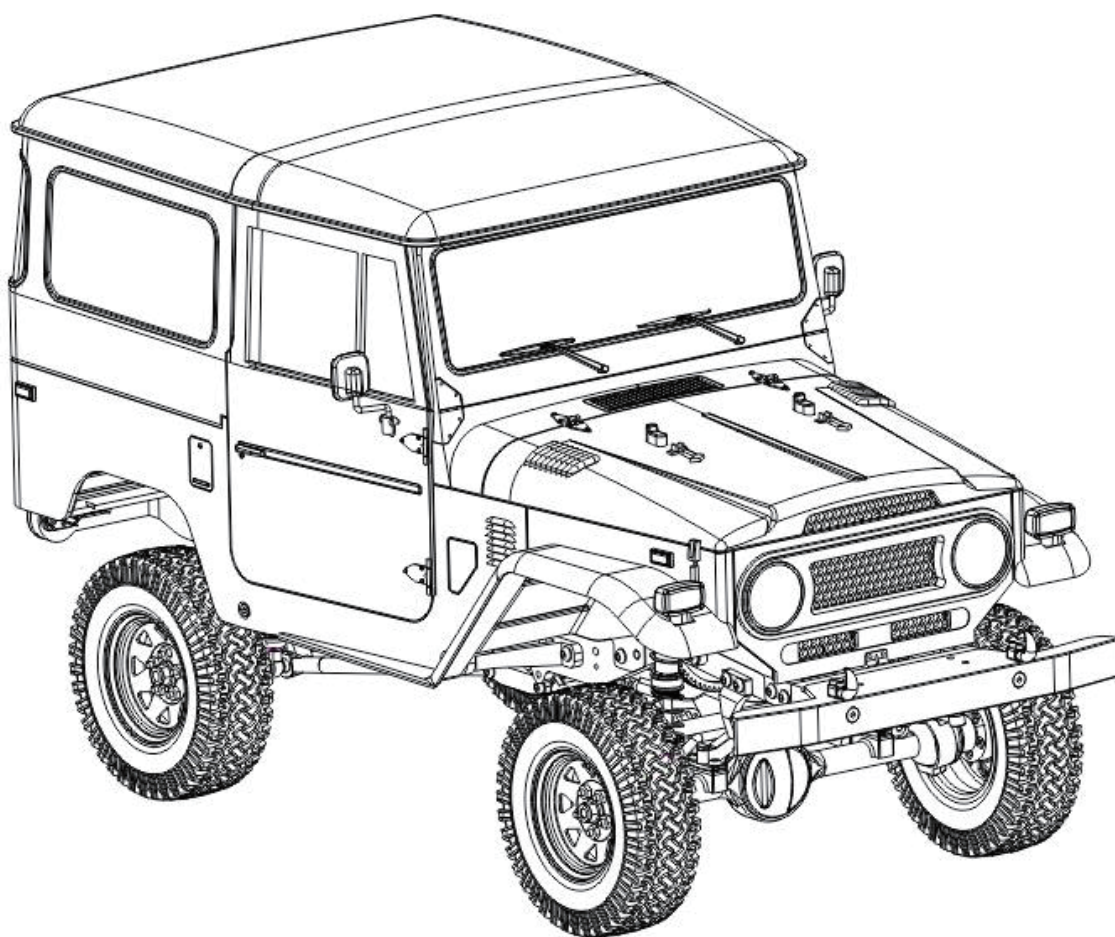
 X4
150-0062
M3 x 8mm BHCS



RC4WD Step 35

 X4
150-0013
M2.5 x 6mm SHCS





Drive it like you built it!





www.rc4wd.com



RC4WD

720 N. Gateway St.
Visalia, CA 93291

Web: www.rc4wd.com - Email: support@rc4wd.com

100-0065